

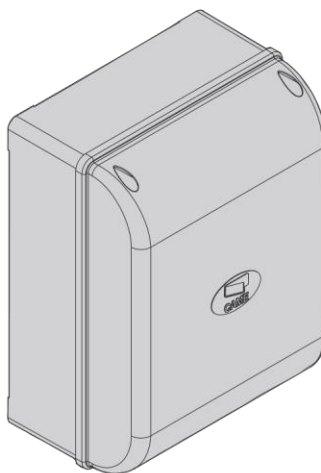


CE

CONTROL PANEL  
FOR 230 V OPERATORS

319S63EN

Z  
SERIES



INSTALLATION MANUAL

**ZF1N**



English

EN

## "IMPORTANT INSTALLATION SAFETY INSTRUCTIONS"

"WARNING: IMPROPER INSTALLATION MAY RESULT IN SERIOUS HARM. PLEASE FOLLOW ALL INSTALLATION INSTRUCTIONS"

"THIS MANUAL IS INTENDED ONLY FOR PROFESSIONAL INSTALLERS OR OTHER COMPETENT INDIVIDUALS"

ENGLISH

## 1 Legend of symbols



This symbol shows parts which must be read with care.



This symbol means the parts which describe safety issues.



This symbol tells you what to tell the end-user.

## 2 Intended use and limits to use

### 2.1 Intended use

The ZFIN control panel is suitable for swing gate operators of the ATI, FERNI, FAST, KRONO series that powered by 230 V.



Any installation and use other than that specified in this manual is forbidden.

### 2.2 Limits to use

The overall power load of the connected operator must not exceed 320 W.

## 3 Reference standards

Came Cancelli Automatici employs an ISO 9001:14001 certified quality management system and an ISO 14001 environmental management system. Came entirely engineers and manufactures in Italy.

This product is compliant with: *see statement of compliance.*

## 4 Description

Engineered and built entirely by Came Cancelli Automatici S.p.A.

Power supply 230 V AC on terminals L1 and L2. The control panel is protected by a 5 A fuse, while the low voltage accessories (24 V) are protected by a 3.15 A fuse.

Warning! The overall power of the 24 V accessories must not exceed 20 W.

All connections are protected by quick fuses, see table.

The card provides and controls the following functions:

- automatic closing after an opening command;
- maintained action command.

The available command modes are:

- opening/closing;
- total stop.

The photocells, after detecting an obstacle, may trigger:

- the reopening of the closing gate;
- a total stop.

Specific trimmers regulate:

- the working time for automatic closing;
- the delayed closing time of operator 2;
- the working time.

You can also connect:

- 12 V electro-lock
- gate open warning-lamp.

### TECHNICAL DATA

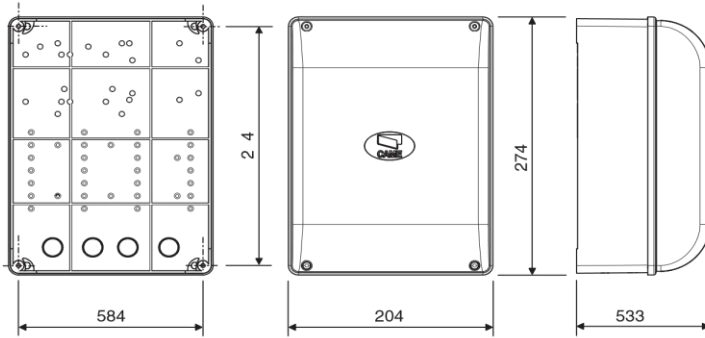
|                                    |                  |
|------------------------------------|------------------|
| Power supply                       | 230 V - 50/60 Hz |
| Maximum allowed power load         | 320 W            |
| Power draw when idle               | 40 mA            |
| maximum power for 24 V accessories | 20W              |
| Circuit insulation class           | □                |
| Container material                 | ABS              |
| Container protection rating        | IP54             |
| Working temperature                | - 20 / +55°C     |

### FUSE TABLE

| to protect:                                    | fuses for: |
|--|------------|
| Electronic board (line)                        | A 5        |
| Command devices and accessories (control unit) | 3.15A      |

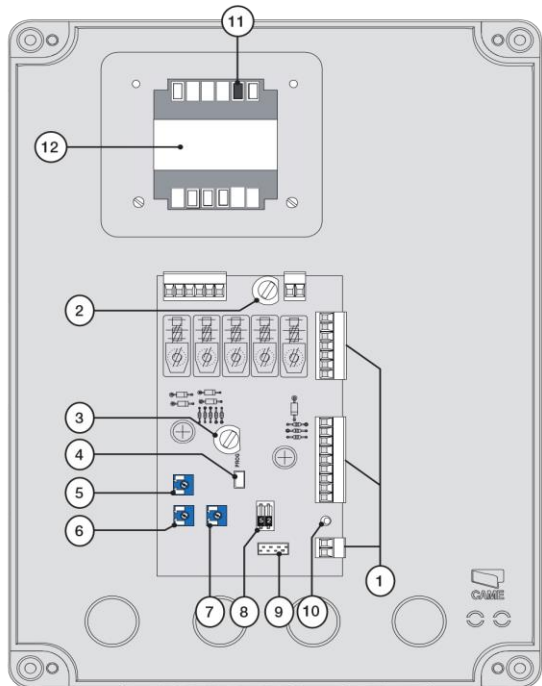
© 11/2011 © CAHE cancelli automatici s.p.a. - The data and information in this manual may be changed at any time and without obligation on the part of Came Cancelli Automatici S.p.a. to notify said changes.

## 4.1 Dimensions



## 4.2 Main components

1. Connecting terminals
2. 5A line fuse
3. 3.15 A accessories fuse
4. Buttons to memorise radio code
5. Trimmer for adjusting the delay of operator 2
6. Working time adjuster trimmer
7. Automatic closing time adjuster trimmer
8. Functions selector
9. Radio frequency card socket
10. LED
11. Operator torque limiter
12. Transformer



**⚠ Warning!** Before acting on the equipment, cut off the main power supply and disconnect the emergency batteries (if present).

**⚠** Connect the black wires protruding from the card onto condenser connectors.

## 5 Installation

### 5.1 Preliminary checks



Before beginning to install, the following is necessary:

- Make sure that the point where the electrical panel is anchored is free from any impacts, and that the surface is solid and that proper tools and materials are used (i.e. screws, wall plugs, etc.).
- Set up a suitable omni polar cut-off device, with distances greater than 3 mm between contacts, with sectioned power source.
- ⚠ Check that any connections inside the container (made for continuity purposes of the protective circuit) are fitted with extra insulation compared to other internal conductive parts.
- Set up proper conduits and electric cable raceways, making sure these are protected from any mechanical damage.

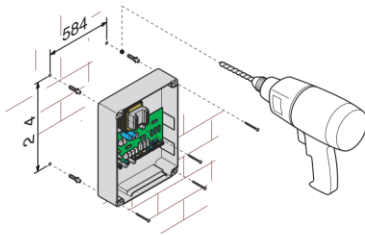
### 5.2 Tools and equipment

Make sure you have all the tools and materials needed to carry out the installation in total safety and in accordance with current regulations. Here are some examples.



### 5.3 Fastening and mounting the container

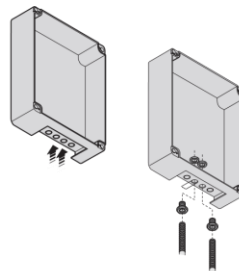
1) Secure the base of the panel in a safe area; we suggest using bolts with max. diameter of 6 mm Philips rounded heads.



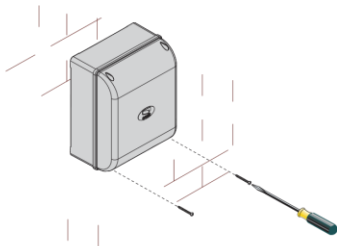
2) Perforate the marked holes and insert the cable glands with corrugated tubes for the electrical cables to run through.

N.B.: the pre-perforated holes have different diameters: 23, 29 and 37 mm.

Careful not to damage the electronic board inside the panel!!!



3) After adjusting and setting, secure the cover using the issued screws.

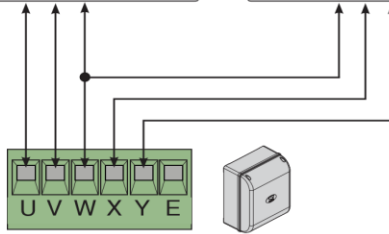
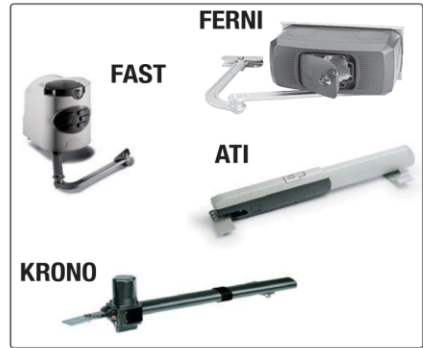


## 6 Electrical connections

### Operator

Operator 1 delayed when opening

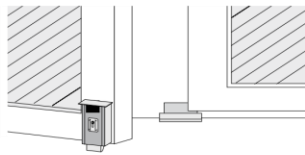
Operator 2 delayed when closing



### Power supply



Power supply to the 230V AC 50/60 Hz control panel



Terminals for powering the 24V AC accessories. Overall allowed power: 20W

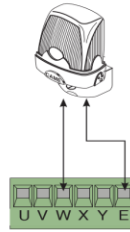


Electro lock connection (12V-15 W max.)

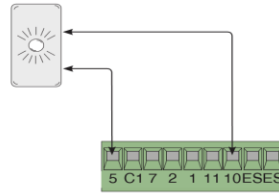
جک شماره یک به U V W در این حالت سیم مشترک به W وصل می شود  
 جک شماره دو به X Y W وصل می شود در این حالت نیز W سیم مشترک با آبی رنگ است  
 قفل برقی به کانکتور های ES ES وصل میشود.

**Warning devices**

Flashing light (contact rated for: 230V AC - 25W Max.) Flashes while gate opens and closes.



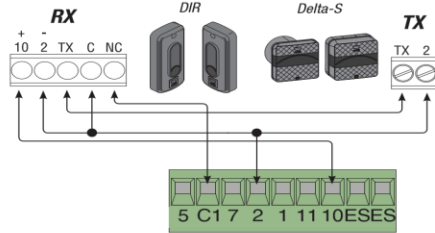
Gate open warning light Contact rated for: 24 V - 3 W Max.) Warns of open gate position, turns off when gate is closed.



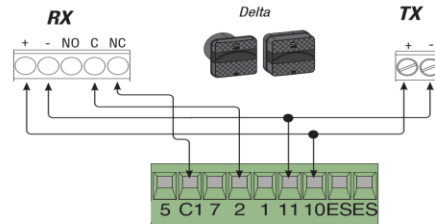
**Safety devices**

**C1 = (N.C.) contact for reopening while closing**  
Input for safety devices like photocells, sensitive edges and other devices that comply with EN 12978 regulations. While the door is closing, opening the contact will invert movement until it is fully opened.

if unused, short-circuit contact 2-C1.



**C1 = (N.C.) contact for reopening while closing**



چنانچه چشم فابریک کامه Tx دار داشته باشیم طبق شکل بالا نصب میکنیم

2 - منفی 24 ولت


10 مثبت 24 ولت

و C1 برای چشمی یا همان NC & COM چنانچه چشمی نداشته باشیم اتصال کوتاه می کنیم

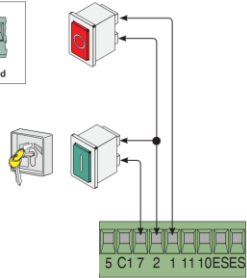
# 2 & 1 اتصال کوتاه می شوند. \*\* 2 & 7 برای رله ریسور یا باز و بسته کردن درب با ریموت متفرقه

*Command devices*

**Stop button ((N.C.) contact)**  
 Gate stop button with exclusion of automatic closing, to resume movement press command button or transmitter button.  
 If unused, short-circuit contact 1-C2.



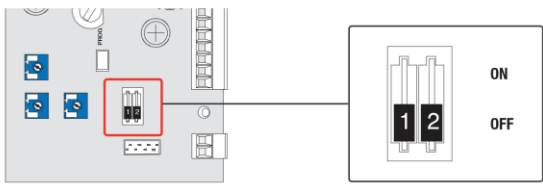
**Key switch selector and/or command button (N.O. contact)**  
 Commands for opening and closing, by pressing the button or turning the selector switch key.



ENGLISH

---

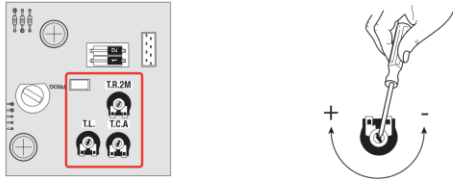
## 7 Selecting functions



1 ON - Automatic closing activated; (1OFF - deactivated)  
 2 ON - "Open-stop-close-stop" with (2-7) button and radio transmitter;  
 2 OFF - "Open-close" with button (2-7) and radio transmitter activated.

---

## 8 Settings

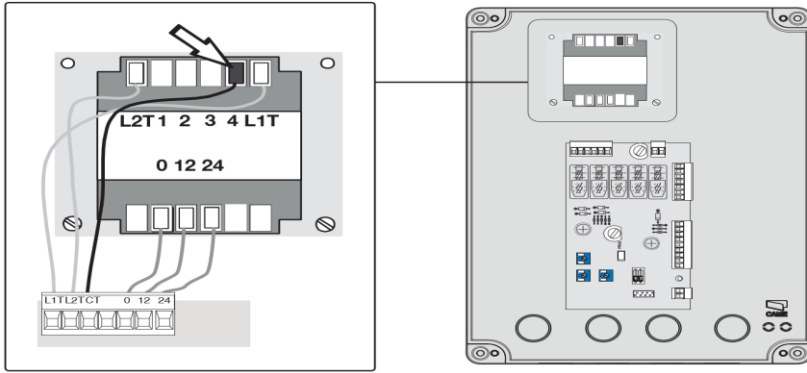


**Trimmer T.R.2M.** = Adjusting the delay of operator 2 from 1 minute to 10 seconds.  
**Trimmer T.L.** = Adjusting the working time from 15 seconds to 120 seconds. (Note: adjusting the working time to the minimum will activate the "maintained action" function).  
**Trimmer T.C.A.** = Adjusting automatic opening and closing times from 0 seconds to 120 seconds.

دیب سوئچ یک ON شود اتوماتیک بسته شدن فعال می شود.  
 دیپ دو ON شود در حالت باز و بسته شدن جک ها با ریموت می توانیم درب را متوقف کنیم.  
 با سه عدد پتانسیومتر دستگاه تنظیم می شود  
 TR2M اختلاف بین باز و بسته شدن لنگه های درب  
 TL مدت زمان کار کرد باز و ها  
 TCA مدت زمان توقف درب ها در حالت اتوماتیک بسته شدن درب ها  
 در جهت + و - زیاد و یا کم می کنیم

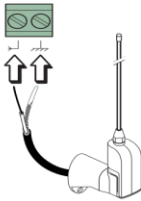
### 9 Motor torque limiter

To change motor torque, move the faston (the one with the black wire) to one of the four settings; 1 min. - 4 max.




### 10 Activating the radio command

#### Antenna



Connect RG58 antenna cable to the apposite terminals.

#### Transmitters



**ATOMO**  
AT01 • AT02  
AT04

*see instruction sheet in the packaging  
of the AF43SR radio-frequency card*

© 11/2011 © CAME cancelli automatici s.p.a. - The data and information in this manual may be changed at any time and without obligation on the part of CAME Cancelli Automatici S.p.a. to notify said changes.

آنتن دستگاه را طبق شکل وصل می کنیم .

# www.ArmaSystem.com



see instructions on box

**TOUCH**

TCH 4024 • TCH 4048



**TOP**

TOP-432A • TOP-434A  
TOP-302A • TOP-304A



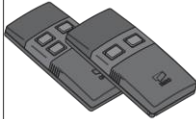
**TOP**

TOP-432NA • TOP-434NA  
TOP-862NA • TOP 864NA  
TOP-432S



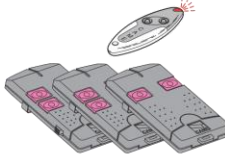
**TWIN**

TWIN 2 • TWIN 4



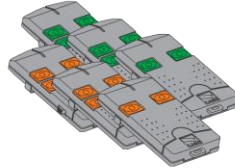
**TAM**

T432 • T434 • T438  
TAM-432SA



**TFM**

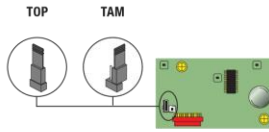
T132 • T134 • T138  
T152 • T154 • T158



**Radio frequency card**

Only for the AF43S / AF43SM radio-frequency cards.

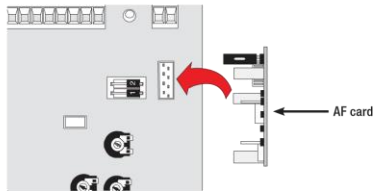
- position jumper as shown depending on the series of transmitters you are using.



| Frequency Mhz | Card Radio-frequency | Series transmitters |
|---------------|----------------------|---------------------|
| FM 26.995     | AF130                | TFM                 |
| FM 30.900     | AF150                | TFM                 |
| AM 26.995     | AF26                 | TOP                 |
| AM 30.900     | AF30                 | TOP                 |
| AM 433.92     | AF43S / AF43SM       | TAM / TOP           |
| AM 433.92     | AF43TW               | TWIN (KeyBlock)     |
| AM 433.92     | AF43SR               | ATOMO               |
| AM 40.685     | AF40                 | TOUCH               |
| AM 863.35     | AF868                | TOP                 |

Plug in the radio-frequency card onto the electronic board AFTER CUTTING OFF THE MAIN POWER SUPPLY (and disconnecting the emergency batteries).

N.B.: The control board recognises the radio-frequency card only when it is powered up.



© 11/2011 © COME cancelli automatici s.p.a. - The data and information in this manual may be changed at any time and without obligation on the part of Come Cancelli Automatici S.p.a. to notify said changes.

ENGLISH

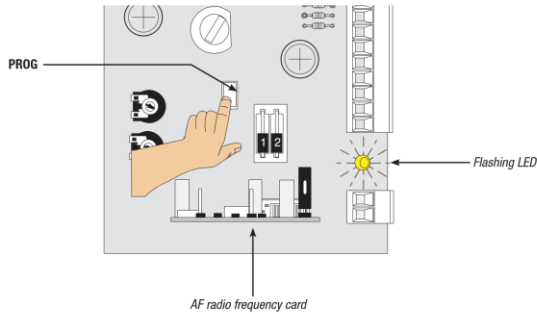
ریسیور را طبق شکل بالا روی برد قرار می دهیم.

اگر ریموت‌های دستگاه از نوع تام بود جمپر روی رسیور را بر می داریم

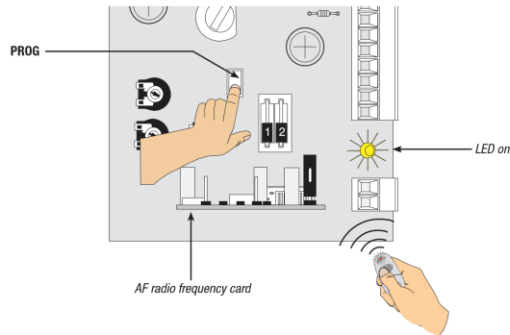
[www.ArmaSystem.com](http://www.ArmaSystem.com)

Memorisation

1) Keep pressed the "CH1" button on the control board (the LED light flashes).



2) The transmitter button sends the code, and the LED will stay on to signal that memorisation was successful.



N.B.: if you later wish to change code, repeat the sequence described.

روی دستگاه فقط یک عدد ریموت ست می شود .  
 ریموت های بعدی را با ریموت اولیه تنظیم می کنیم  
 برای ادامه مطالب به وب سایت آرماسیستم مراجعه کنید  
 مرادی 09122004446

[www.ArmaSystem.com](http://www.ArmaSystem.com)