

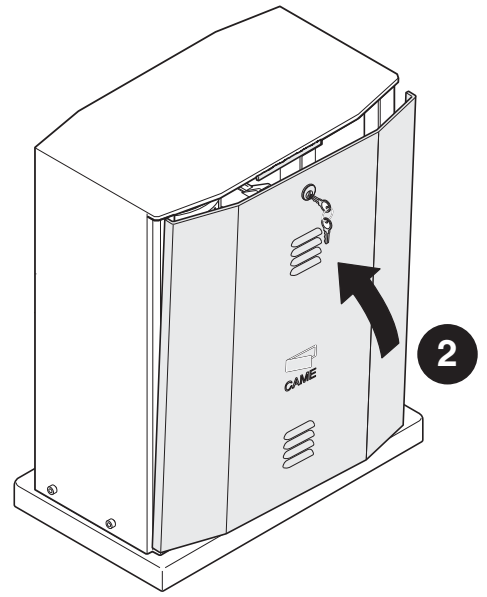
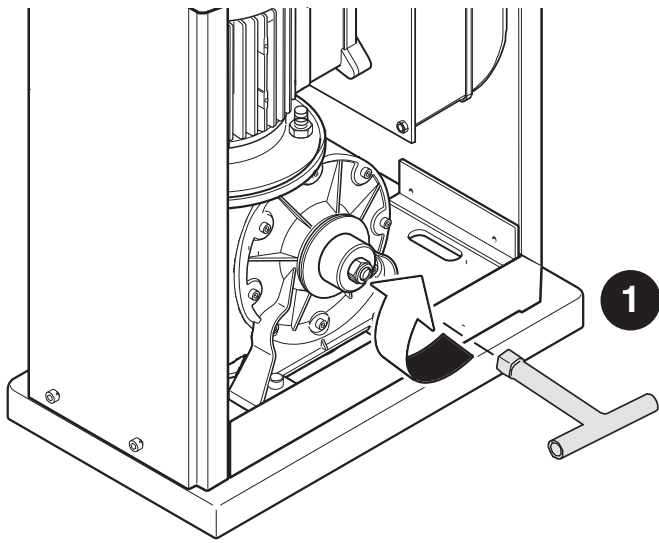
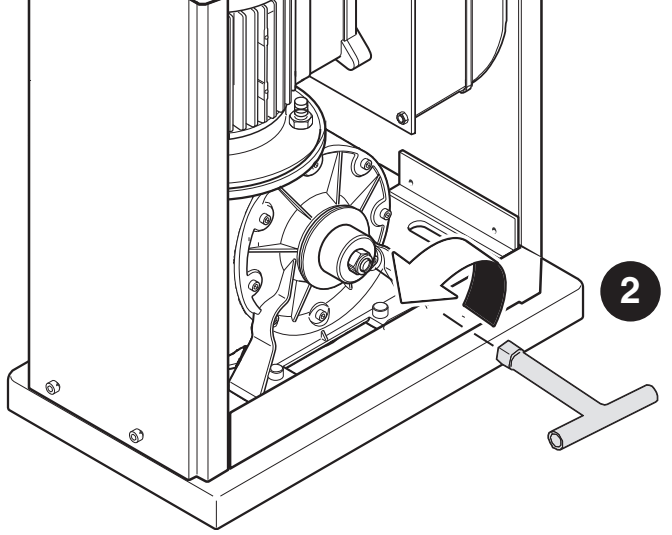
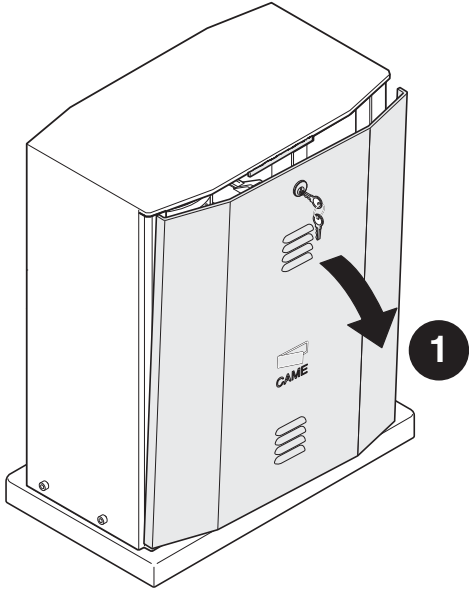
Sliding gate operators

FA01346-EN



BY-3500T

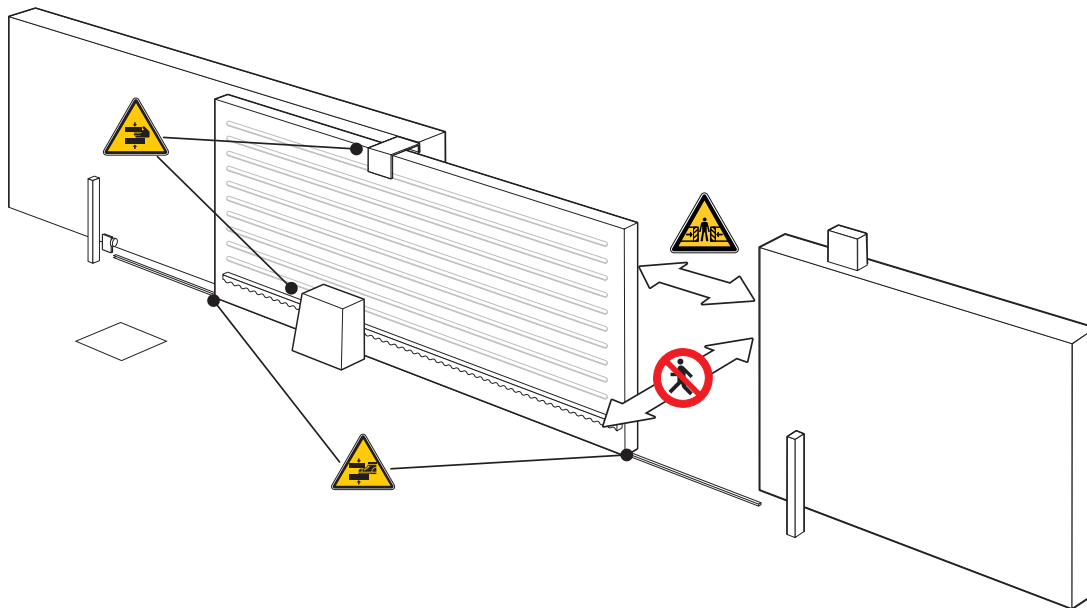
INSTALLATION MANUAL



⚠ Important safety instructions.**⚠ Follow all of these instructions. Improper installation can cause serious bodily harm.****⚠ Before continuing, also read the general precautions for users.**

Use this product only for its specifically intended use. Any other use is hazardous. • The manufacturer can not be held liable for any damage caused by improper, unreasonable, and erroneous use. • This manual's product is defined by the Machinery Directive 2006/42/CE as partly-completed machinery. • Partly-completed machinery is an assembly that almost constitutes a machine, but which, alone, cannot ensure a clearly defined application. • Partly-completed machinery is only destined to be incorporated or assembled to other machinery or other partly-completed machinery or apparatuses to build machinery that is regulated by the Machinery Directive 2006/42/EC. • The final installation must comply with the Machinery Directive 2006/42/EC and the current European reference standards. • The manufacturer declines any liability for using non-original products; which would result in warranty loss. • All operations indicated in this manual must be carried out exclusively by skilled and qualified personnel and in full compliance with current regulations. • Laying of cables, installation and testing must follow state-of-the-art procedures as dictated by applicable standards and laws. • Make sure the mains power supply is disconnected during all installation procedures. • Check that the temperature ranges given and those of the location match. • Do not install on slopes, that is, on any surfaces that are not perfectly level • If necessary, add suitable reinforcements to the anchoring points. If necessary, add suitable reinforcements to the anchoring points. • Make sure that the operator, in the installation place, does not get wet by direct jets of water (sprinklers, water cleaners, etc.). • Make sure you have set up a suitable dual pole cut off device along the power supply that is compliant with the installation rules. It should completely cut off the power supply according to category III surcharge conditions. • Demarcate properly the entire site to prevent unauthorized personnel to enter; especially children and minors. • In case of manual handling, have one person for every 20 kg that need hoisting; for non manual handling use proper hoisting equipment in safe conditions. • Use suitable protections to prevent any mechanical hazards due to persons loitering within the operating range of the operator. • The electric cables must pass through special pipes, ducts and cable glands in order to guarantee adequate protection against mechanical damage. • The electrical cables must not touch any parts that may overheat during use (such as the motor and the transformer). • Before the installation, check that the guided part is in good mechanical condition, and that it opens and closes correctly. • The product cannot automate any guided part that includes a pedestrian gate, unless the latter can be enabled only when the pedestrian gate is secured. • Make sure that people cannot be entrapped between the guided and fixed parts, when the guided part is set in motion. • Provide additional protection to prevent finger crushing between pinion and rack. • All fixed controls must be clearly visible after installation, in position that the guided part is directly visible, but far away from moving parts. In the case of a maintained action command, this must be installed at a minimum height of 1.5 m from the ground and must not be accessible to the public. • If not already present, apply a permanent tag, that describes how to use the manual release mechanism, close to the mechanism. • Make sure that the operator has been properly adjusted and that the safety and protection devices, and the manual release, are working properly. • Before turning over to the final user, check that the system complies with the harmonized standards and the essential requisites of Machinery Directive 2006/42/CE. • Any residual risks must be indicated clearly with proper signage affixed in visible areas. All of which must be explained to end users. • Fit, in plain sight, the machine's ID plate when the installation is complete. • If the power-supply cable is damaged, it must be immediately replaced by the manufacturer or by an authorized technical assistance center, or in any case, by qualified staff, to prevent any risk. • Keep this manual inside the technical folder along with the manuals of all the other devices used for your automation system. • Remember to hand over to the end users all the operating manuals of the products that make up the final machinery.

Main points of danger for people



Do not transit through during maneuvering.



Danger of entrapment.




Danger of hand entrapment.



Danger of foot entrapment.

DISMANTLING AND DISPOSAL

 CAME S.p.A. employs an Environmental Management System at its premises. This system is certified and compliant with the UNI EN ISO 14001 regulation standard to ensure that the environment is respected and safeguarded. Please continue safeguarding the environment. At CAME we consider it one of the fundamentals of our operating and market strategies. Simply follow these brief disposal guidelines:

DISPOSING OF THE PACKAGING

The packaging materials (cardboard, plastic, and so on) should be disposed of as solid household waste, and simply separated from other waste for recycling. Always make sure you comply with local laws before dismantling and disposing of the product.

DISPOSE OF RESPONSIBLY!

DISPOSING OF THE PRODUCT

Our products are made of various materials. Most of these (aluminium, plastic, iron, electrical cables) are classified as solid household waste. They can be recycled by separating them before dumping at authorized city plants.





Whereas other components (control boards, batteries, transmitters, and so on) may contain hazardous pollutants.

These must therefore be disposed of by authorized, certified professional services.

Before disposing, it is always advisable to check with the specific laws that apply in your area.

DISPOSE OF RESPONSIBLY!

Legend

-  This symbol shows which parts to read carefully.
-  This symbol shows which parts describe safety issues.
-  This symbol shows which parts to tell users about.
-  The measurements, unless otherwise stated, are in millimeters.

Description

Operator complete with control board and mechanical end stops for sliding gates up to 3.500 kg in weight and 17 m in length.

Intended use

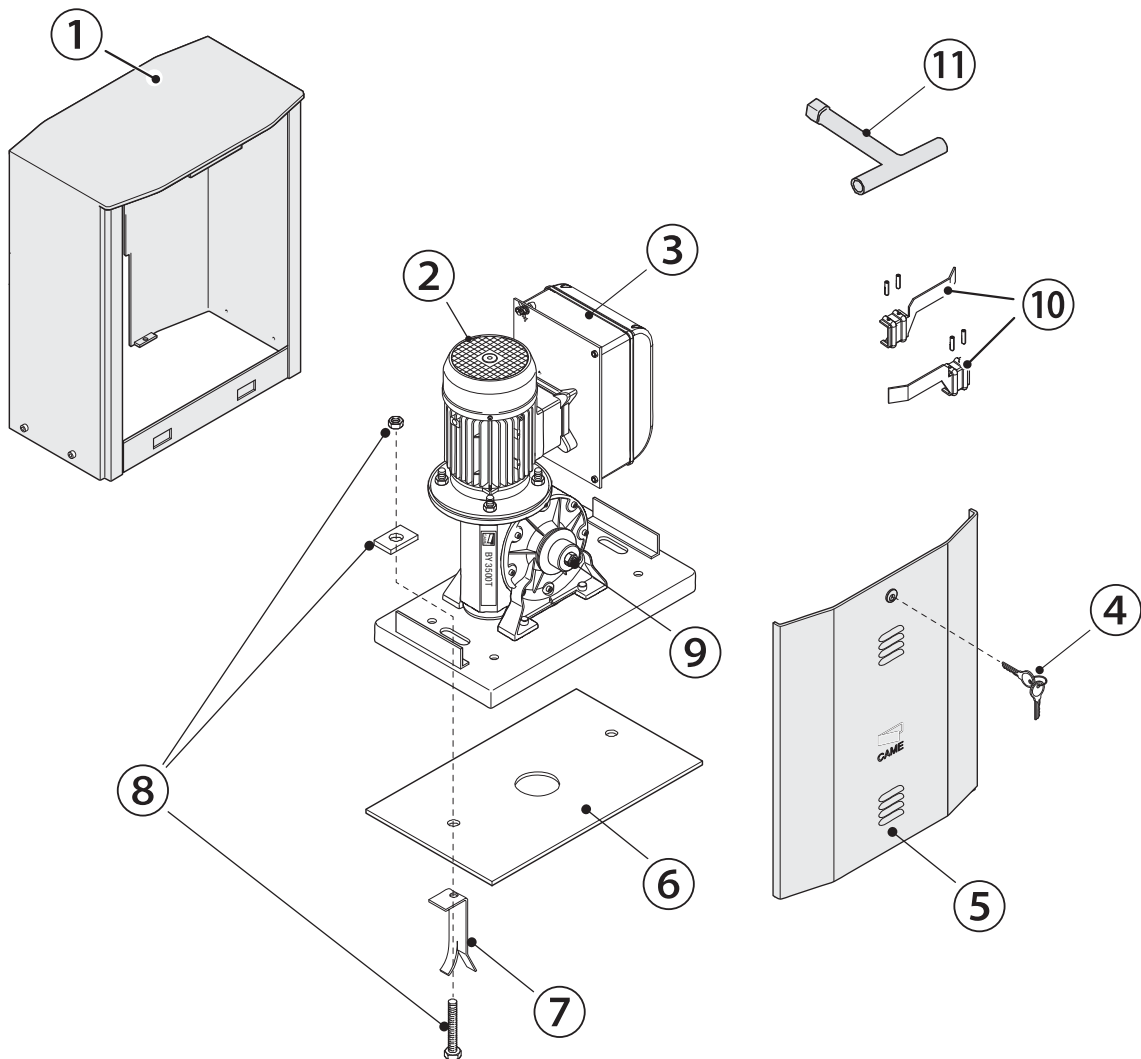
Ideal solution for applying to large gates

 Any installation and/or use other than that specified in this manual is forbidden.

Description of parts

Operator

- 1** Cabinet
- 2** Gearmotor
- 3** Control panel
- 4** Keys for the inspection door
- 5** Inspection hatch
- 6** Anchoring plate
- 7** Anchoring bracket
- 8** Fastening hardware
- 9** Nut for unlocking the operator
- 10** Limit-switch fins
- 11** Release key



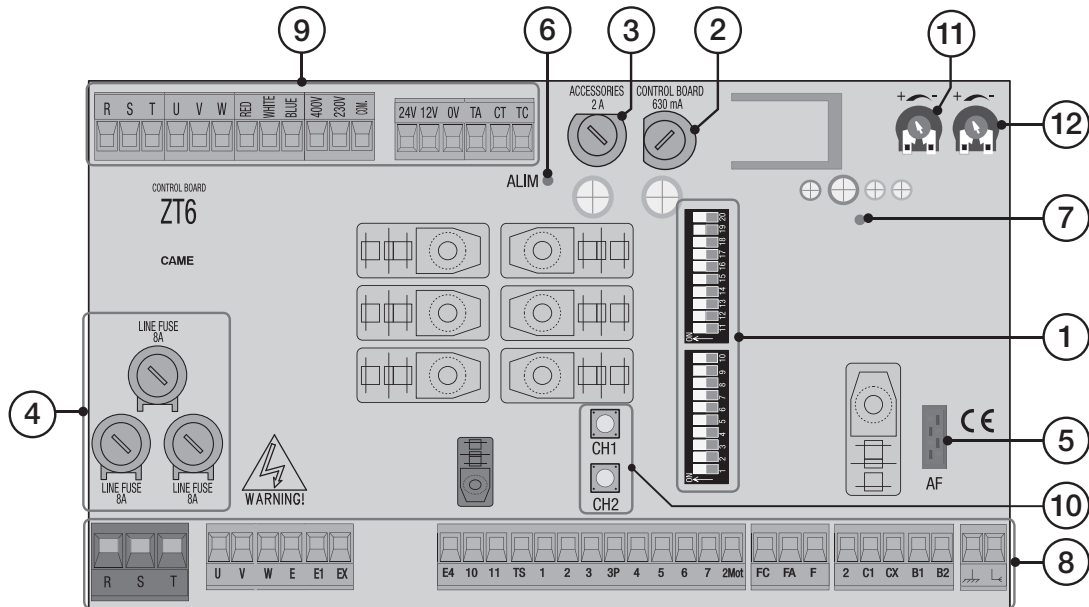
Control board

All wiring connections are quick-fuse protected.

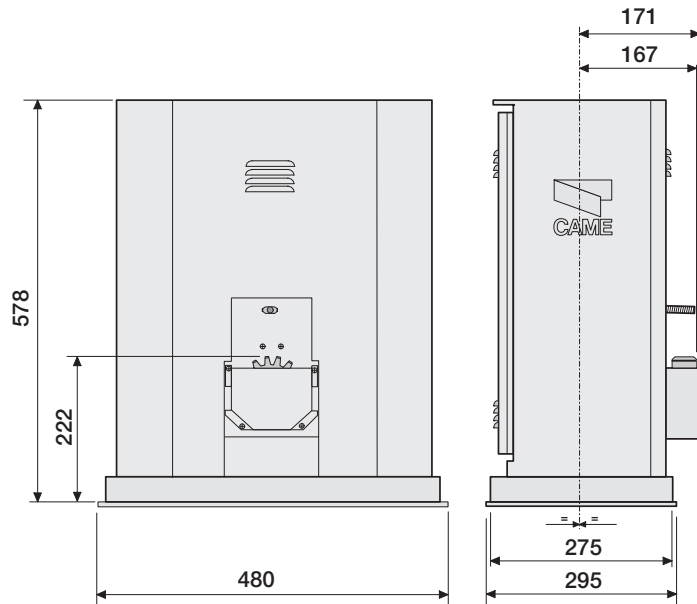
For the system to work properly, before fitting any plug-in card, you **MUST CUT OFF THE MAIN POWER SUPPLY** and remove any batteries.

Before working on the control panel, cut off the mains power supply and remove the batteries, if any.

- | | |
|---|--|
| ① DIP for programming | ⑦ Alert LED |
| ② Control board fuse | ⑧ Terminal board for connecting control and safety devices |
| ③ Accessories fuse | ⑨ Terminal board for connecting the transformer |
| ④ Line fuse | ⑩ Buttons for programming |
| ⑤ Connector for plug-in radio frequency card (AF) | ⑪ TCA Trimmer: automatic closing time adjustment |
| ⑥ Voltage present warning LED | ⑫ PAR.OP Trimmer: partial opening adjustment |



Dimensions



Limits to use

MODELS	BY-3500T
Pinion module	6
Maximum gate-leaf length (m)	17
Maximum gate-leaf weight (kg)	3500

Technical data

MODELS	BY-3500T
Power supply (V - 50/60 Hz)	230/ 400 V AC THREE PHASE
Motor power supply (V)	230/ 400 V AC THREE PHASE
Board power supply (V)	24 AC
Power (W)	1000
Current draw (mA)	2
Color	RAL 7035
Working temperature (°C)	-20 ÷ +55
Maximum thrust (N)	3500
Maximum operating speed (m/min)	10,5
Cycles/hour	14
Motor thermal protection (°C)	140
Protection rating (IP)	54
Insulation class	I
Reduction ratio (i)	1/28
Weight (kg)	74

Fuse table

MODELS	BY-3500T
Line fuse	8 A FAST
Control-board fuse	630 mA FAST
Accessories fuse	2 A FAST

 The line fuses are 3, one for each phase.

Operating cycles


The work cycles calculation is for a gate with standard reference length of the sliding part, that is professionally installed, free of any mechanical issues and/or accidental friction points, and measured at 20° C, as stated in EN Standard 60335-2-103.


MODELS	BY-3500T
Cycles/hour (no.)	14
Standard reference length(m)	10


Cable types and minimum thicknesses


Cable length (m)	up to 20	from 20 to 30
230-400 V AC TRI-PHASE power supply	4G x 1.5 mm ²	4G x 2.5 mm ²
230-400 V AC TRI-PHASE motor power supply	4G x 1.5 mm ²	4G x 2.5 mm ²
Micro limit-switches	* no. x 0.5 mm ²	* no. x 0.5 mm ²
24 V AC Flashing light	2 x 1 mm ²	2 x 1 mm ²
230 V AC Flashing light	2 x 1.5 mm ²	2 x 1.5 mm ²
TX Photocells	2 x 0.5 mm ²	2 x 0.5 mm ²
RX photocells	4 x 0.5 mm ²	4 x 0.5 mm ²
Command and control devices	* no. x 0.5 mm ²	* no. x 0.5 mm ²

*no. = see product mounting instructions - Warning: the cable section is merely indicative as it depends on the motor power and cable length.


 When operating at 230 V and outdoors, use H05RN-F-type cables that are 60245 IEC 57 (IEC) compliant; whereas indoors, use H05VV-F-type cables that are 60227 IEC 53 (IEC) compliant. For power supplies up to 48 V, you can use FROR 20-22 II-type cables that comply with EN 50267-2-1 (CEI).


 To connect the antenna, use the RG58 (we suggest up to 5 m).

 If cable lengths differ from those specified in the table, establish the cable sections depending on the actual power draw of the connected devices and according to the provisions of regulation CEI EN 60204-1.

 For multiple, sequential loads along the same line, the dimensions on the table need to be recalculated according to the actual power draw and distances. For connecting products that are not contemplated in this manual, see the literature accompanying said products

INSTALLATION


 The following illustrations are just examples, as the space available for fitting the operator and accessories varies depending on the area where it is installed.


 The drawings show an operator fitted on the left.

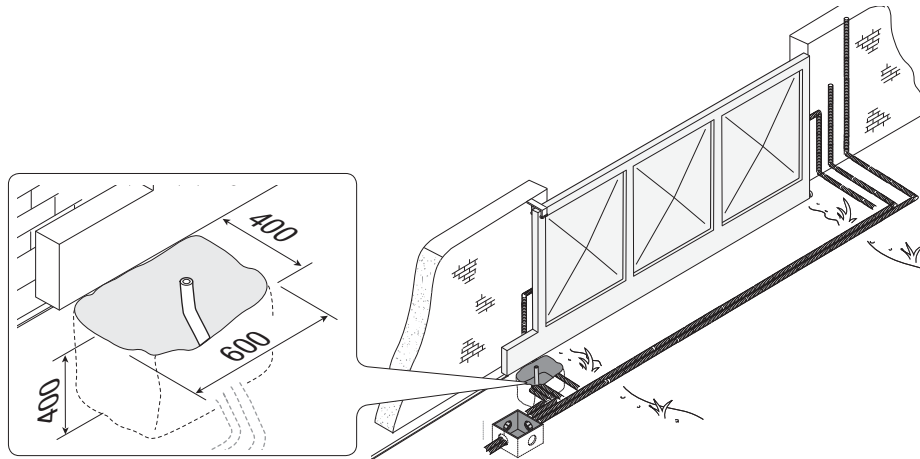
Preliminary operations

Dig a hole for the foundation frame.

Set up the corrugated tubes needed for the wiring coming out of the junction pit.

 To connect the gearmotor we suggest a $\varnothing 60$ mm corrugated tube. Whereas for the accessories we suggest $\varnothing 25$ mm tubes.

 The number of tubes depends on the type of system and the accessories that are going to be fit.



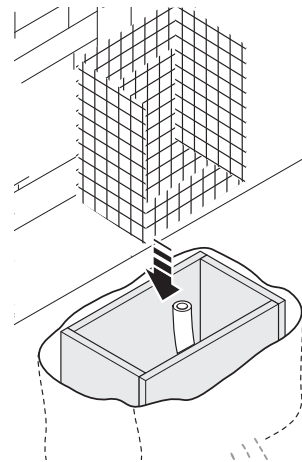
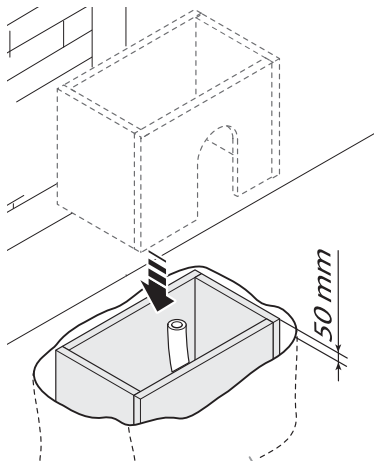
Laying the anchoring plate

Set up a foundation frame that is larger than the anchoring plate.

Fit the foundation frame into the dug hole.

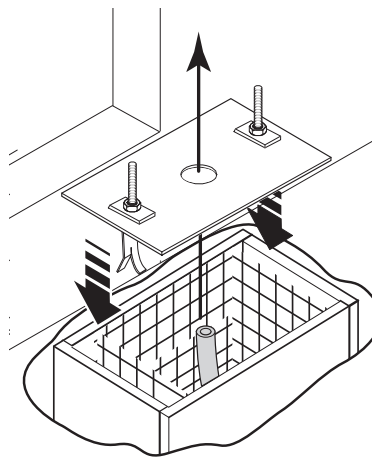
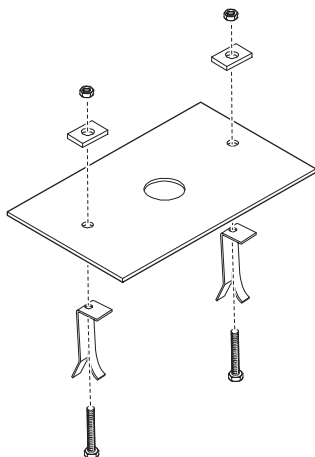
 The foundation frame must jut out by 50 mm above ground level.

Fit an iron cage into the foundation frame to reinforce the concrete.



Fasten the anchoring clamps to the plate by using the supplied screws, washers and nuts.
Fit the anchoring plate into the iron cage.

 The tubes must run through the existing holes.




Position the anchoring plate respecting the measures shown on the drawing.

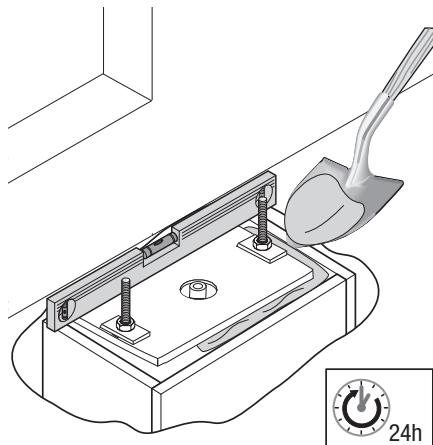
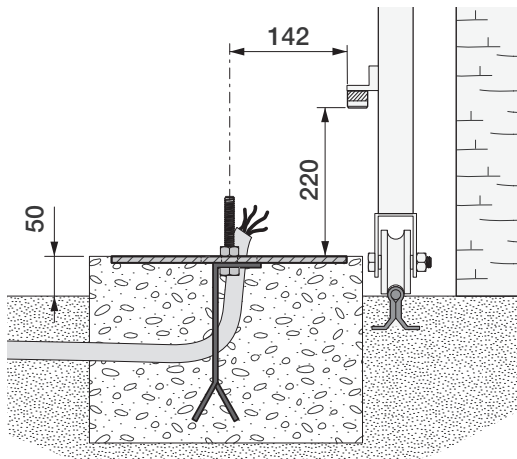
 If the gate does not have the rack, proceed with the installation.

 See the FASTENING THE RACK paragraph.

Cast cement into the foundation frame;

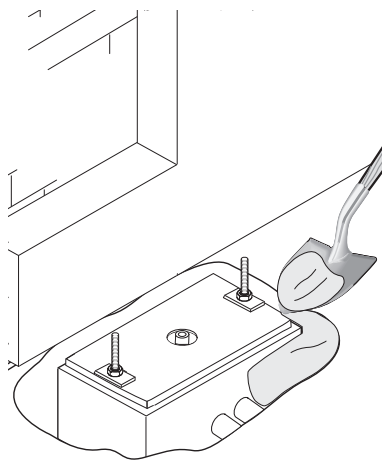
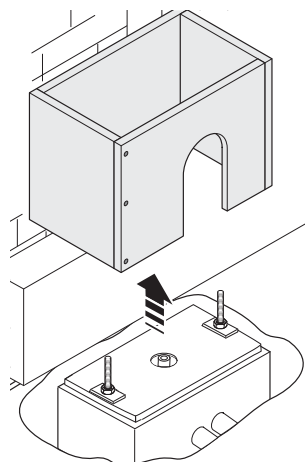
 The plate must be perfectly aligned and its bolt threads completely above surface.

Wait at least 24 hours for the cement to dry.

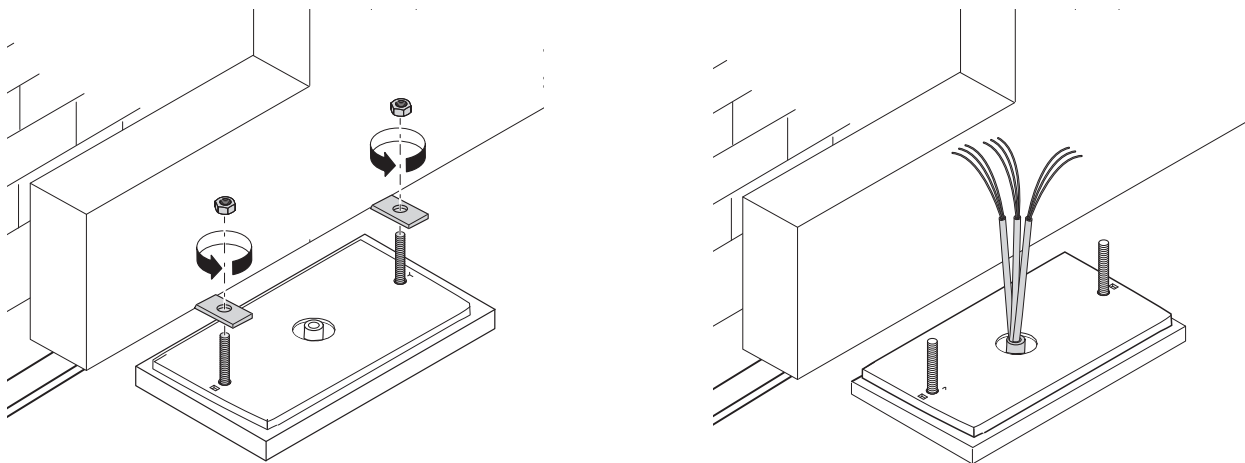


Remove the foundation frame.

Fill the hole with earth around the concrete block.

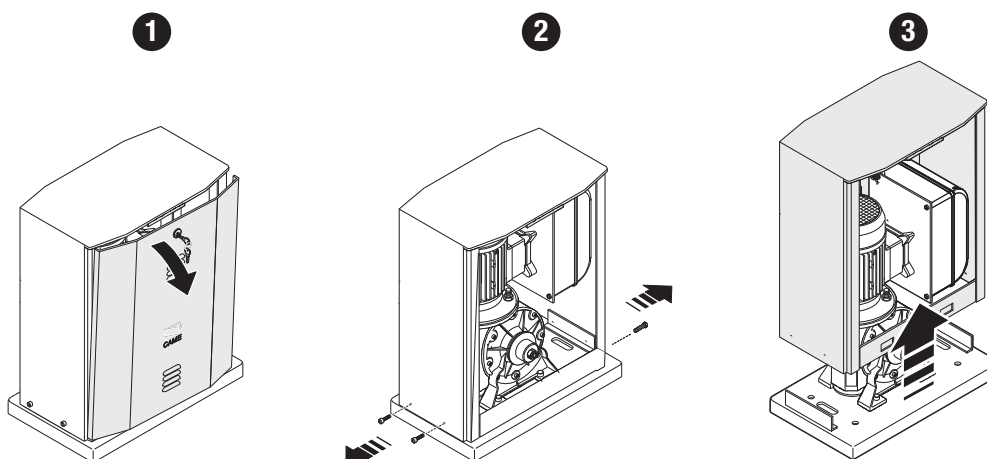


Remove the nuts from the bolts.
Fit the electric cables into the tubes so that they come out about 600 mm.



Setting up the operator

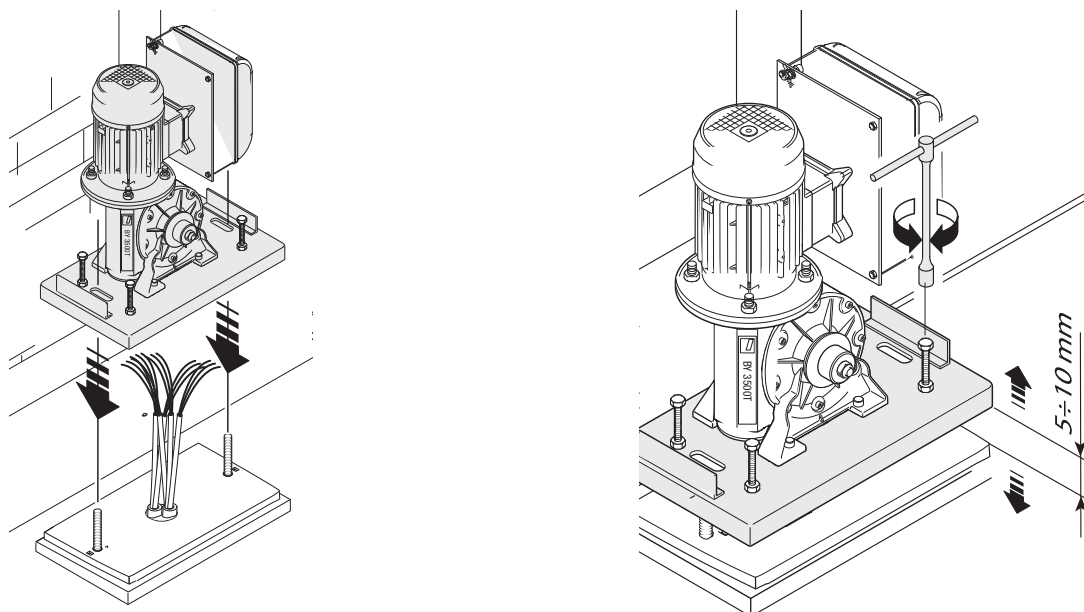
- ❶ Remove the front cover.
- ❷ Remove the side screws.
- ❸ Remove the cabinet.



Place the operator on top of the anchoring plate.

 The electric cables must pass under the operator case

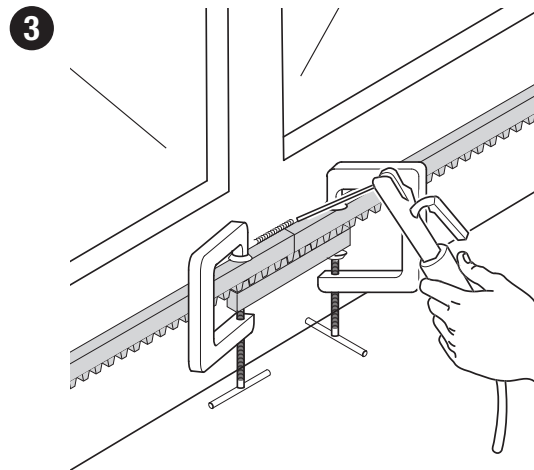
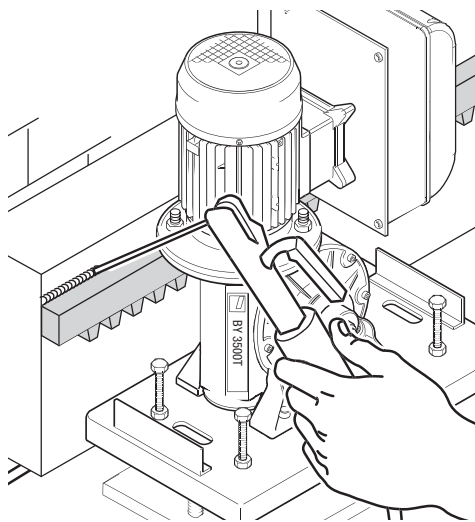
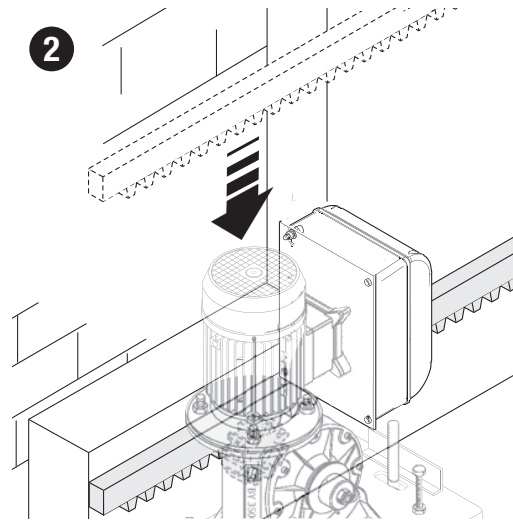
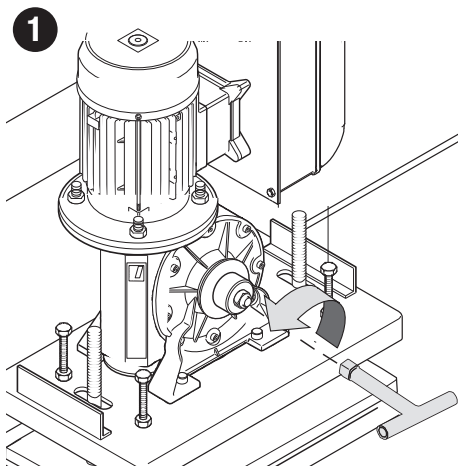
Lift the gearmotor by 5 to 10 mm from the plate by adjusting the threaded steel feet to allow any subsequent adjustments between pinion and rack.



Fastening the rack

- 1 Release the operator.
- 2 Rest the rack above the gearmotor.
- 3 Weld or fasten the rack to the gate along its entire length.

 To assemble the rack modules, use an extra piece and rest it under the joint, then fasten it using two clamps.

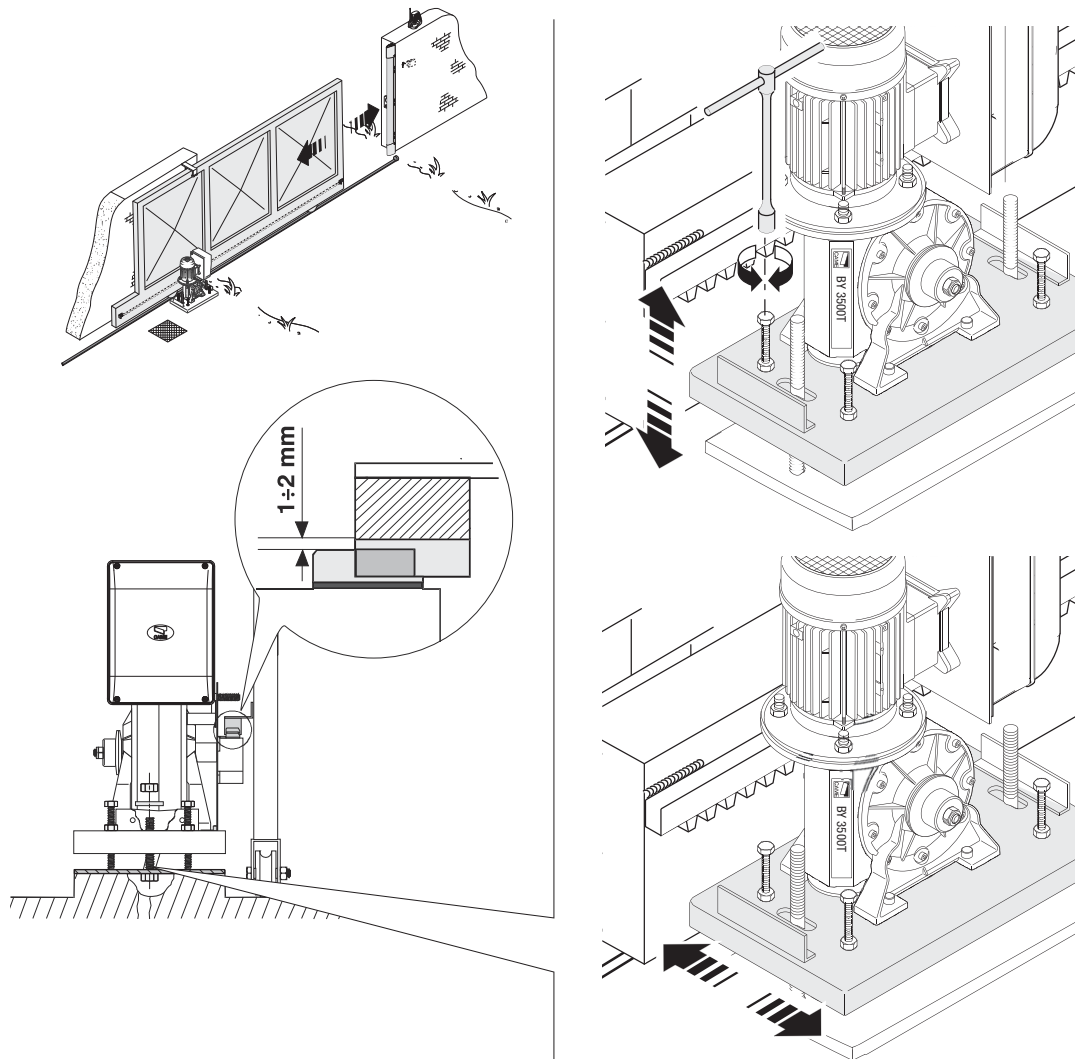


Adjusting the pinion-rack coupling

Manually open and close the gate.

Adjust the pinion-rack coupling distance using the threaded feet (vertical adjustment) and the holes (horizontal adjustment).

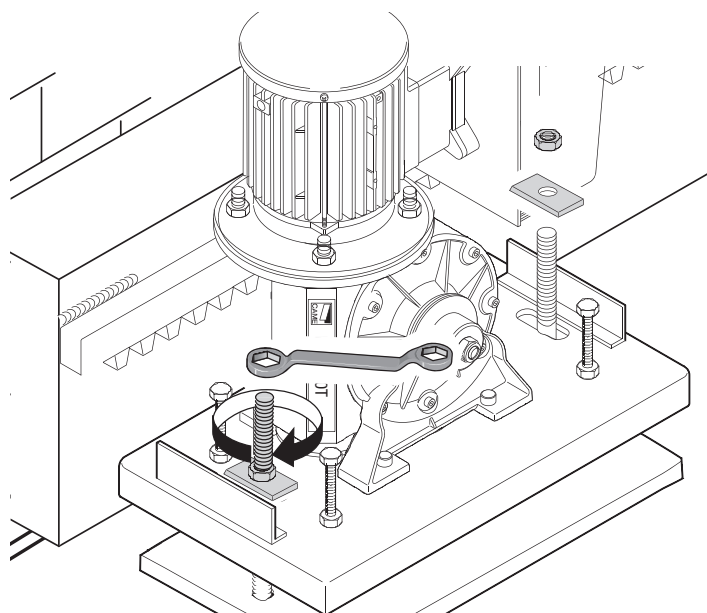
 The weight of the gate must not bear down upon the operator.



Fastening the operator

 Proceed with the fastening only after adjusting the pinion-rack coupling.

Fasten the operator to the anchoring plate with strikers and nuts.



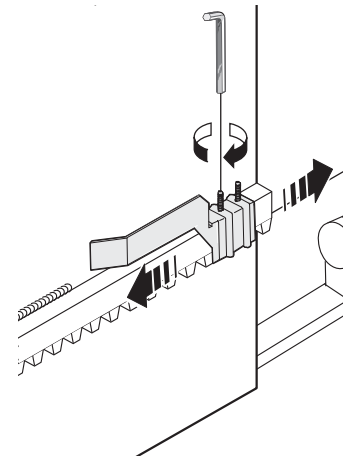
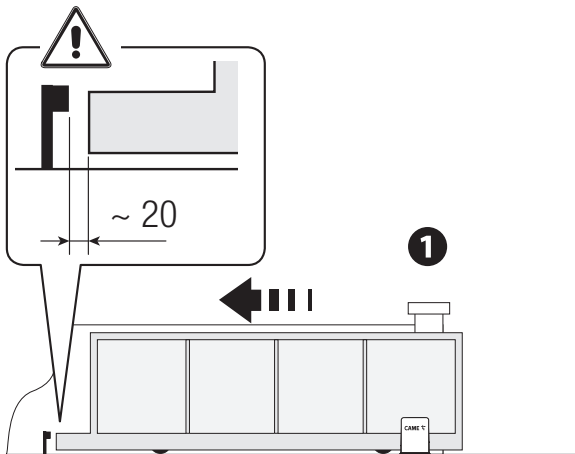
Establishing the travel end points with mechanical limit-switches

1 Open the gate.

Insert the opening limit switch fin on the rack.

The spring must trigger the microswitch.

Fasten the opening limit switch fin using the headless screws (supplied).

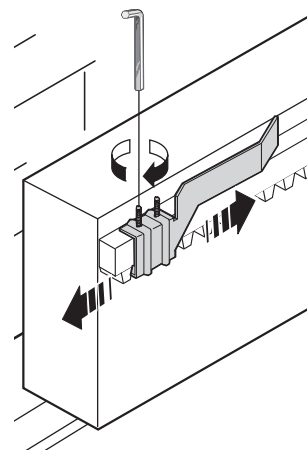
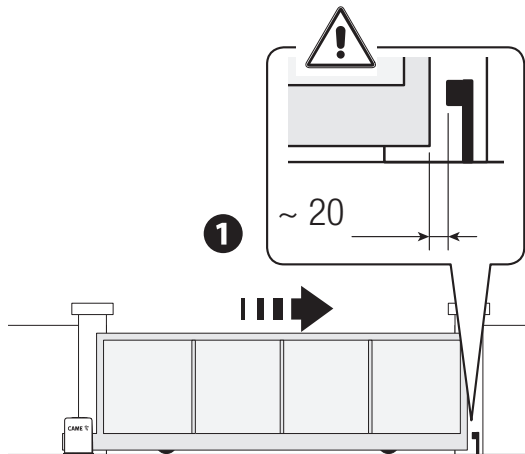


1 Close the gate.

Insert the closing limit switch fin on the rack.

The spring must trigger the microswitch.

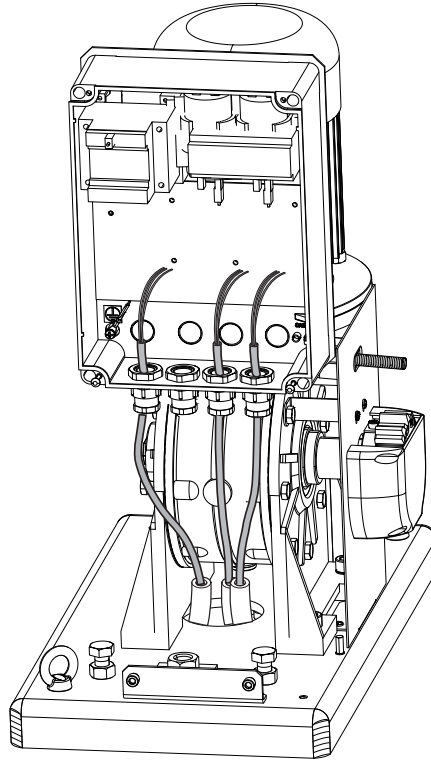
Fasten the closing limit switch fin using the headless screws (supplied).



ELECTRICAL CONNECTIONS

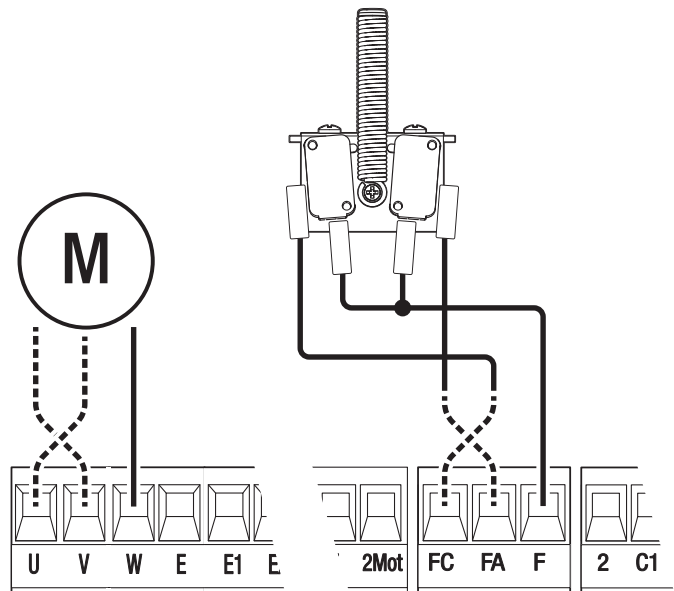
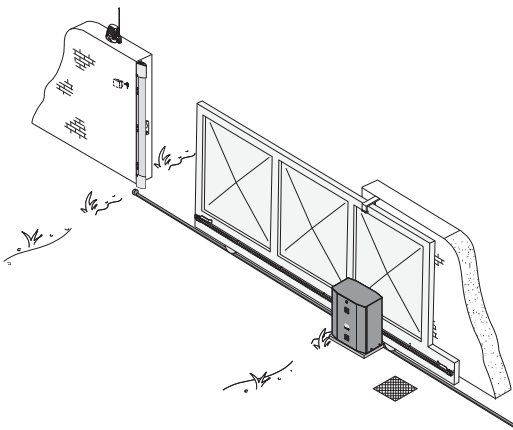
Electric cables passage

- 📖 Connect all wires and cables in compliance with the law.
The electrical cables must not touch any parts that may overheat during use (such as the motor and the transformer).
- 📖 Use cable glands to connect the devices to the control panel. One of these must be intended exclusively for the power supply cable.



Reversal of the gate opening time

- 📖 The operator is designed to be fitted on the left.
- 📖 If installing on the right, reverse the motor and limit switches phases.



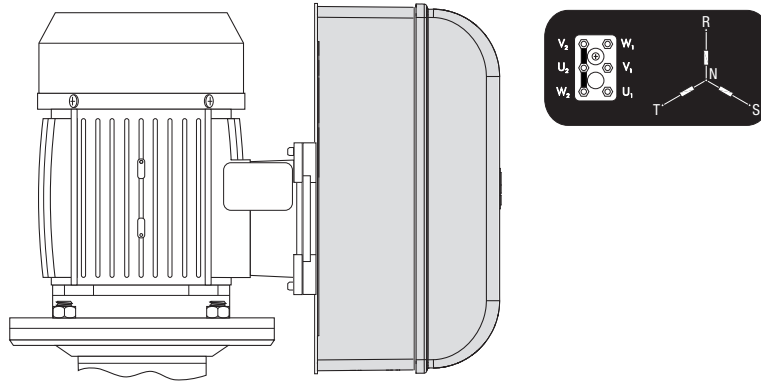
Input voltage

Make sure the mains power supply is disconnected during all installation procedures.

⚠ Before working on the control panel, cut off the mains power supply.

Operator with 400 V AC three-phase power supply

📖 The operator is designed to be powered at 400 V AC three-phase.



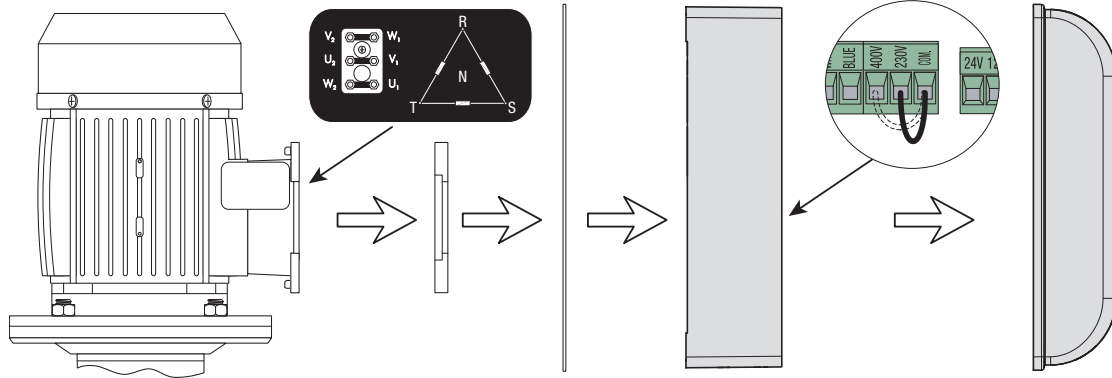
Operator with 230 V AC three-phase power supply

Remove the control panel, the panel support and the protection cover of the gearmotor connections.

Change the gearmotor contacts connections.

Reposition and fasten the control panel to the gearmotor.

Move the short-circuit jumper from the 400 V terminal to the 230 V terminal.

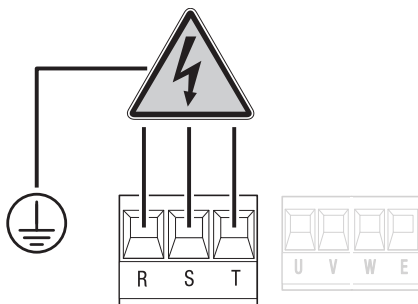


Input voltage

Make sure the mains power supply is disconnected during all installation procedures.

⚠ Before working on the control panel, cut off the mains power supply.

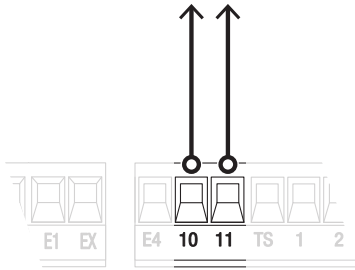
Connection to the power grid (230/400 V AC - three-phase - 50/60 Hz)



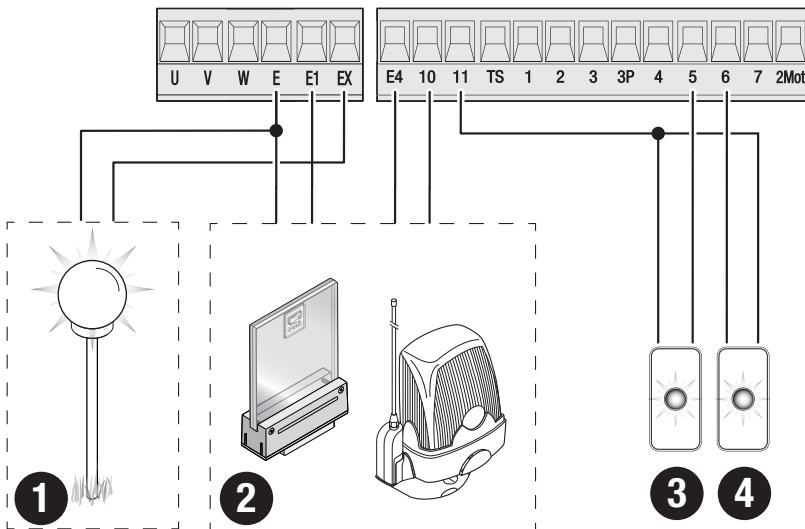
Accessories power supply output

Output delivers normally 24 V AC.

 The sum of the connected accessories input must not exceed 40 W.



Signalling devices



1 Additional light

Increases illumination in the maneuvering area.

⚠ E-EX contact maximum capacity (230 V AC - 60 W)

2 Flashing light

It flashes during the operator opening and closing phases.

⚠ E-E1 contact maximum capacity (230 V AC - 25 W)

⚠ E4-10 contact maximum capacity (24 V AC - 45 W)

3 Operator status warning light

It indicates the open operator position.

⚠ 11 -5 contacts maximum capacity (24 V AC/DC - 3 W)

4 Operator status warning light

It indicates the closed operator position.

⚠ 11 -6 contacts maximum capacity (24 V AC/DC - 3 W)

Command and control devices

1 STOP button (NC contact)

It stops the gate and excludes the automatic closing. Use a control device to resume movement.

If the contact is not used, it must be deactivated during the programming.

2 Control device (NO contact)

OPEN ONLY function - For opening only.

3 Control device (NO contact)

PARTIAL OPENING function - It allows the gate partial opening.

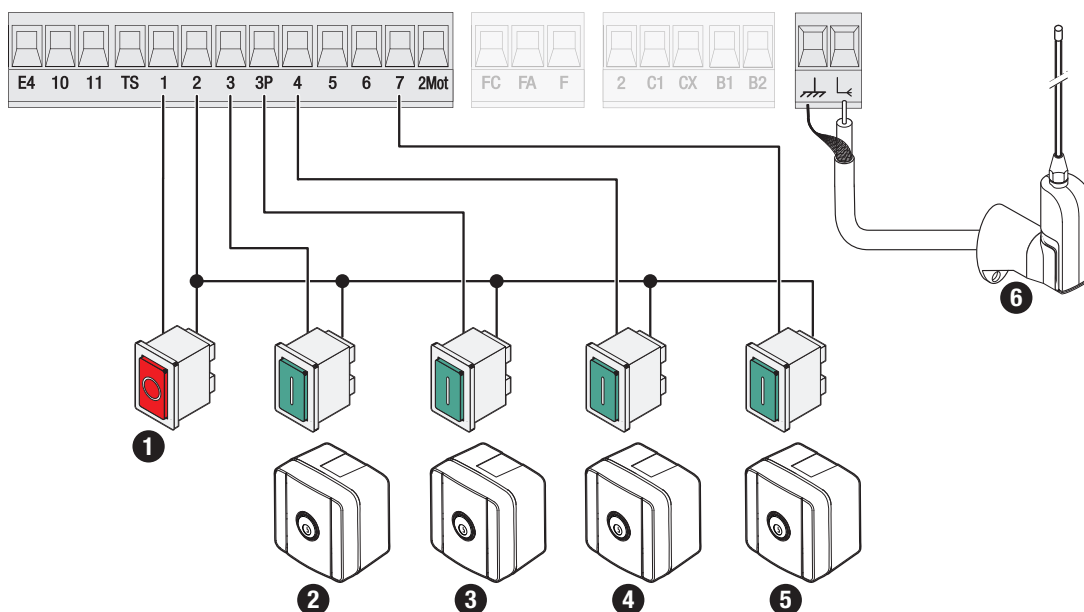
4 Control device (NO contact)

CLOSE ONLY function - For closing only.

5 Control device (NO contact)

OPEN-CLOSE (step-step) or OPEN-STOP-CLOSE-STOP (sequential) function

6 Antenna with RG58 cable



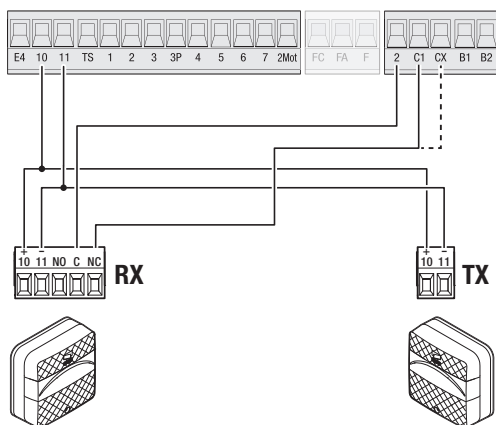
Safety devices

During programming, configure the type of action that must be performed by the device connected to the input. Connect the safety devices to the C1 and/or CX inputs.

If contacts C1 and/or CX are not used they must be deactivated during programming.

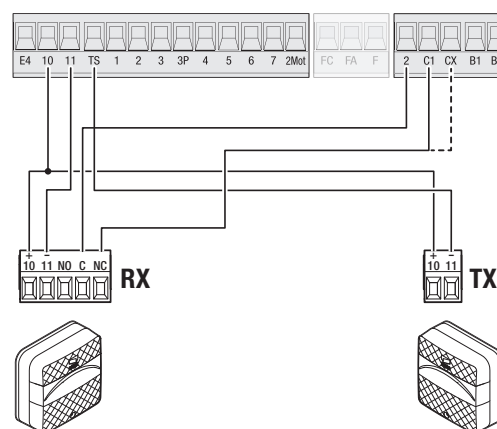
DELTA photocells

Standard connection



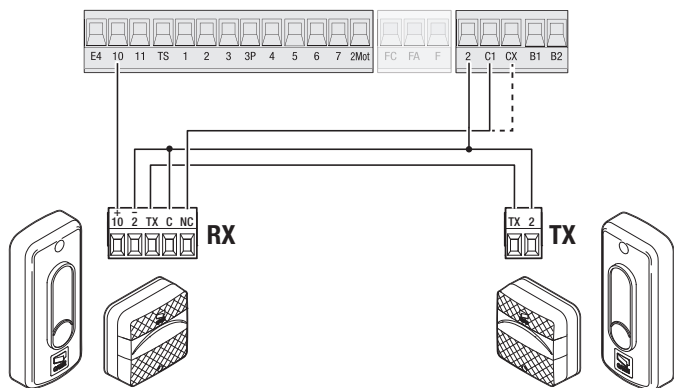
DELTA photocells

Connection with safety test



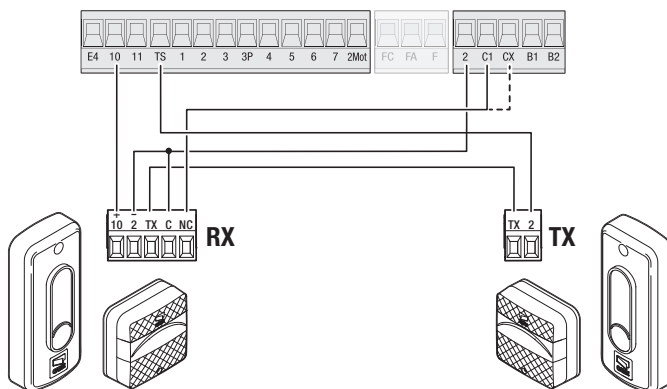
DIR / DELTA-S photocells

Standard connection

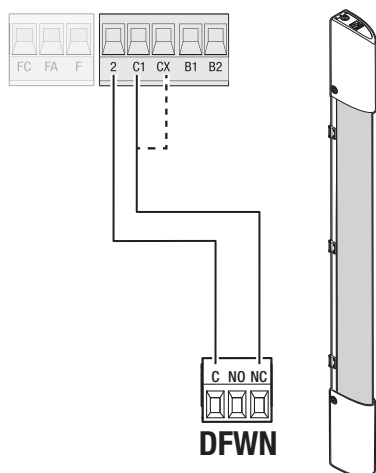


DIR / DELTA-S photocells

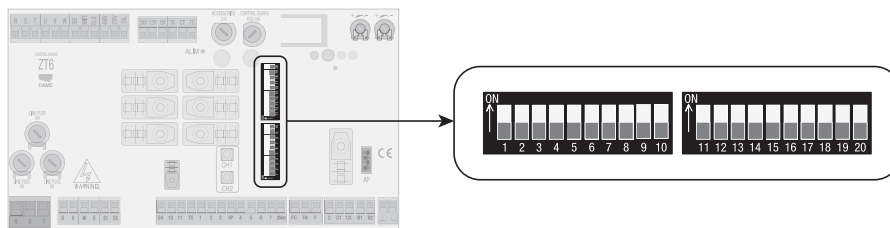
Connection with safety test



Sensitive safety-edge DFWN

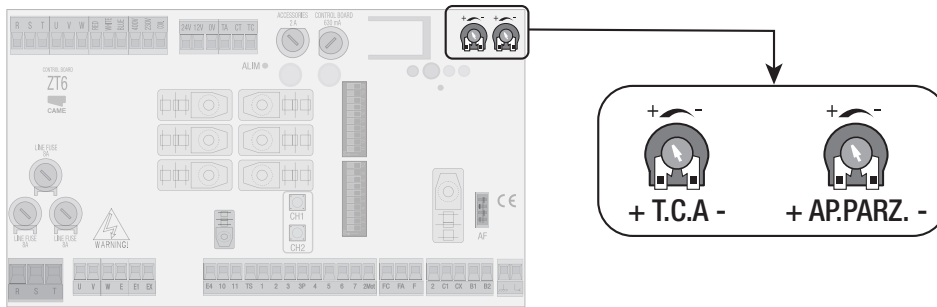


Selecting the functions



DIP-switch 1 ON	AUTOMATIC CLOSING function
DIP-switch 2 ON	OPEN-STOP-CLOSE-STOP function from control device and from transmitter
DIP-switch 2 OFF	OPEN-CLOSE function from control device and from transmitter
DIP-switch 3 ON	ONLY OPEN function from transmitter
DIP-switch 4 ON	HOLD-TO-RUN function
DIP-switch 5 ON	PRE-FLASHING function during opening and closing
DIP-switch 6 ON	OBSTACLE DETECTION function
DIP-switch 7 OFF	RE-OPENING DURING CLOSING function from safety devices connected to 2-C1 terminal
DIP 8 OFF DIP 9 OFF	RE-CLOSING DURING OPENING function from safety devices connected to the 2-CX terminal ⓘ If the devices are not connected to the 2-CX terminal, set the DIP-switch 8 to ON.
DIP 8 OFF DIP 9 ON	PARTIAL STOP function from safety devices connected to the 2-CX terminal ⓘ If the devices are not connected to the 2-CX terminal, set the DIP-switch 8 to ON.
DIP-switch 10 OFF	TOTAL STOP function by button connected to the 1-2 terminal
DIP-switch 11 OFF	Not used. Keep the Dip-switch OFF.
DIP-switch 12 ON	PARTIAL OPENING function ⓘ The gate closes automatically after 8 s.
DIP-switch 12 OFF	PARTIAL OPENING function ⓘ The gate closes automatically after an adjustable time from 1 to 14 s. ⓘ The AUTOMATIC CLOSING function must be active.
DIP-switch 13 ON	SAFETY TEST function
DIP-switch 14 OFF	Not used. Keep OFF.
DIP-switch 15 OFF	Not used. Keep OFF.
DIP-switch 16 ON	COURTESY LAMP function
DIP-switch 17 ON	CYCLE LAMP function
DIP-switch 18 OFF	Not used. Keep OFF.
DIP-switch 19 OFF	Not used. Keep OFF.
DIP-switch 20 OFF	Not used. Keep OFF.

Adjusting the functions



T.C.A. TRIMMER

Setting the automatic closing time from 1 second to 120 seconds.

PART.OP. TRIMMER

Setting the partial opening time from 1 second to 14 seconds.

Enabling the radio control

➊ Connect the RG58 cable to the terminals.

Connect the accessory, if present, to B1-B2 (NO contact).

➋ Set the jumper as indicated.

📖 Only for the AF43S and AF43SM: radio-frequency cards.

➌ Fit the AF card into the control board.

➍ Keep pressed the CH1 button on the control board.

Press any key on the transmitter you want to memorize.

➎ Perform the same procedure pressing the CH2 button to associate another transmitter button.

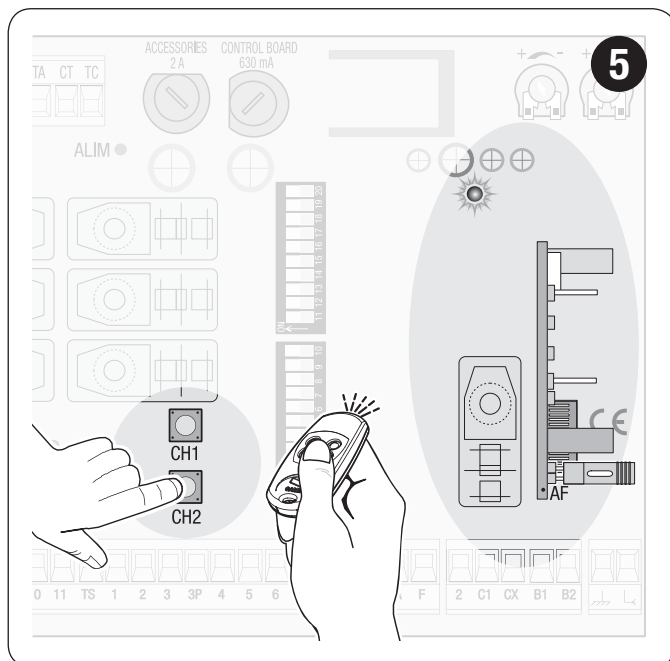
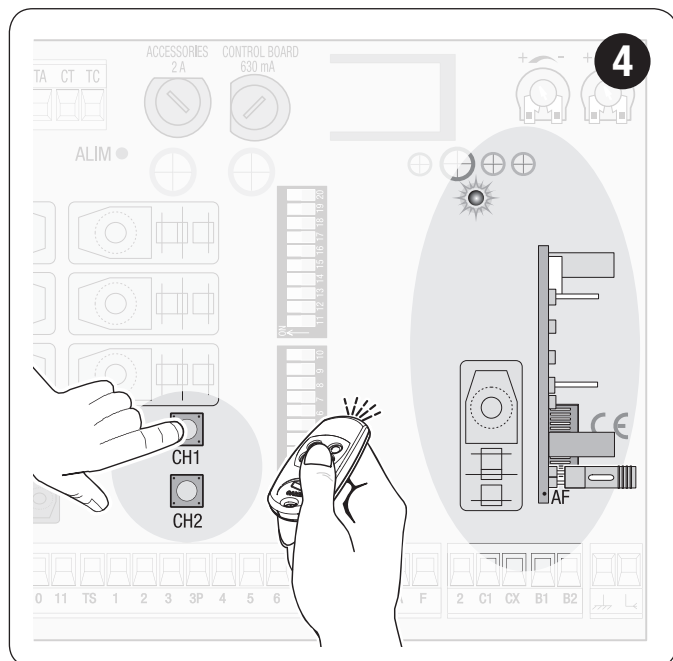
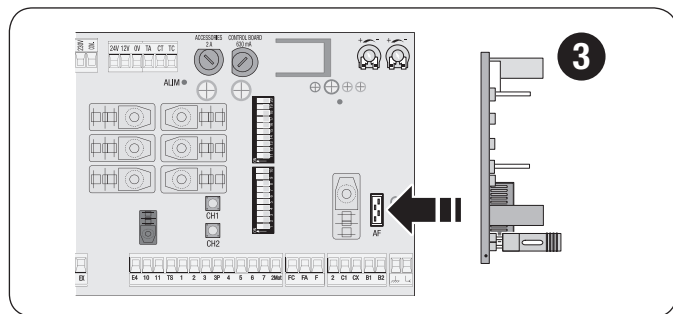
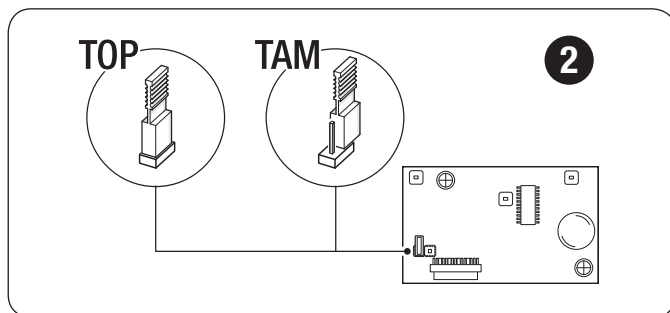
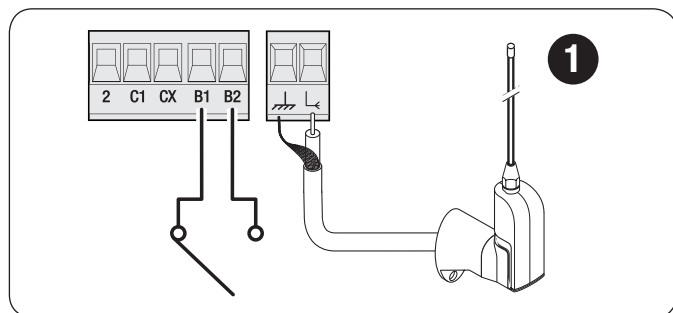
📖 The warning LED flashes during the procedure and stays on with steady light once the saving is complete.

Channel CH1

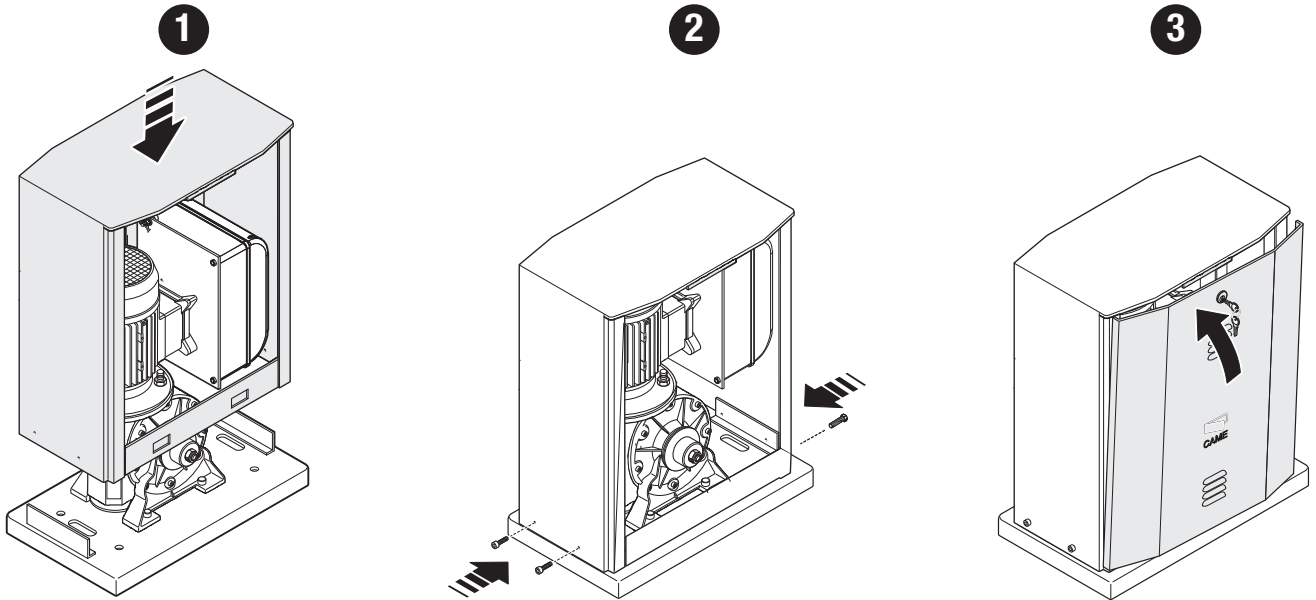
Channel dedicated to the gate opening and closing control.

Channel CH2

Channel dedicated to the accessory control (if present) connected to B1-B2.



FINAL OPERATIONS

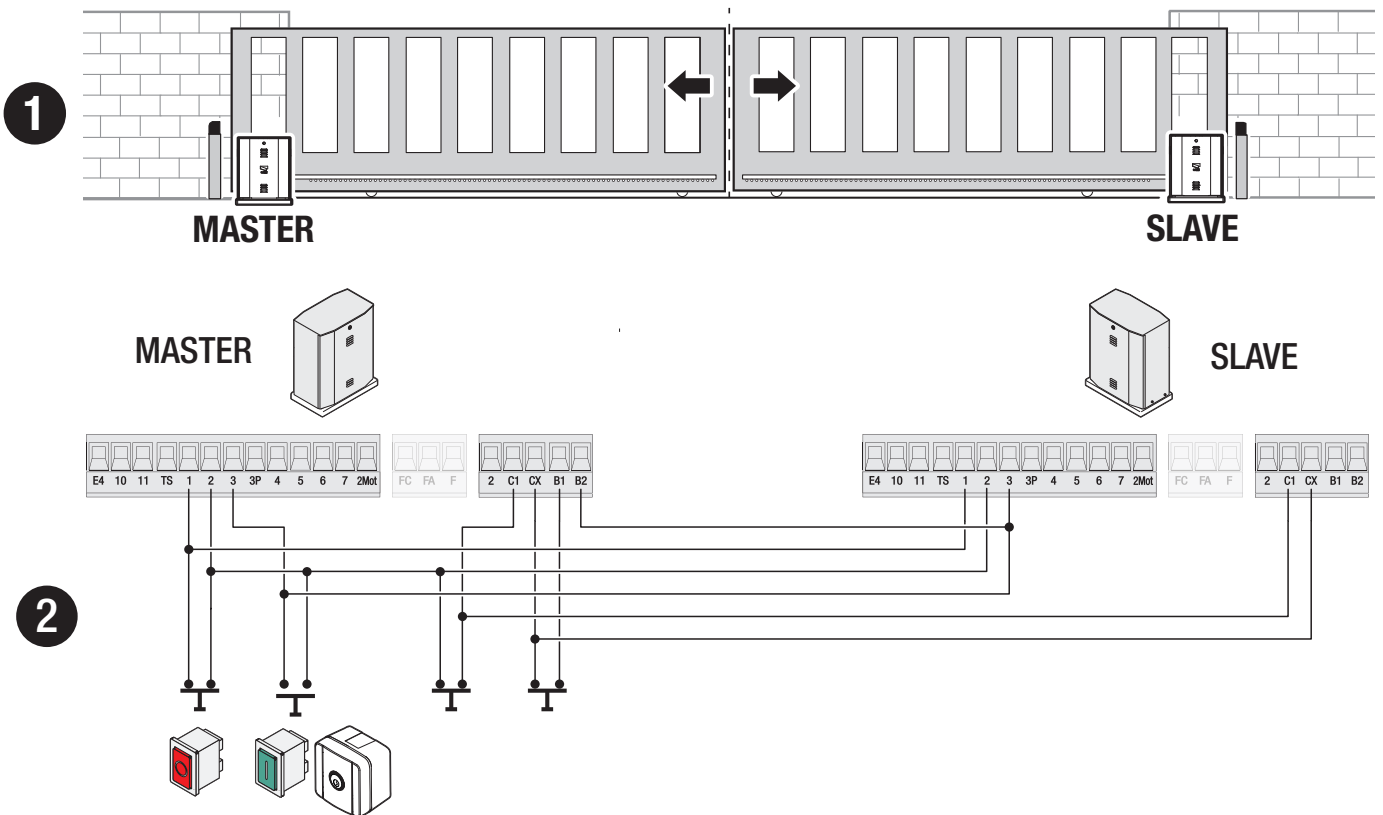


COMBINED OPERATION

Single command of two connected operators.


Electrical connections

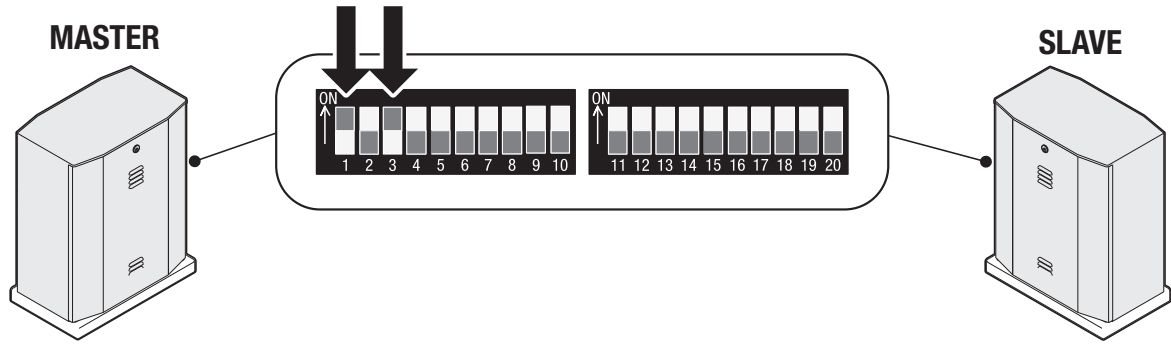
- 1 Reverse the SLAVE operator motor and limit switches phases.
- The devices and accessories must be connected to the control board which will be set as MASTER.
- For electrical connections of the devices and accessories, see the ELECTRICAL CONNECTIONS chapter.
- 2 Connect the two electronic boards.



Programming

Select the functions and settings on both electronic boards.

 DIP-switches 1 and 3 must be ON.

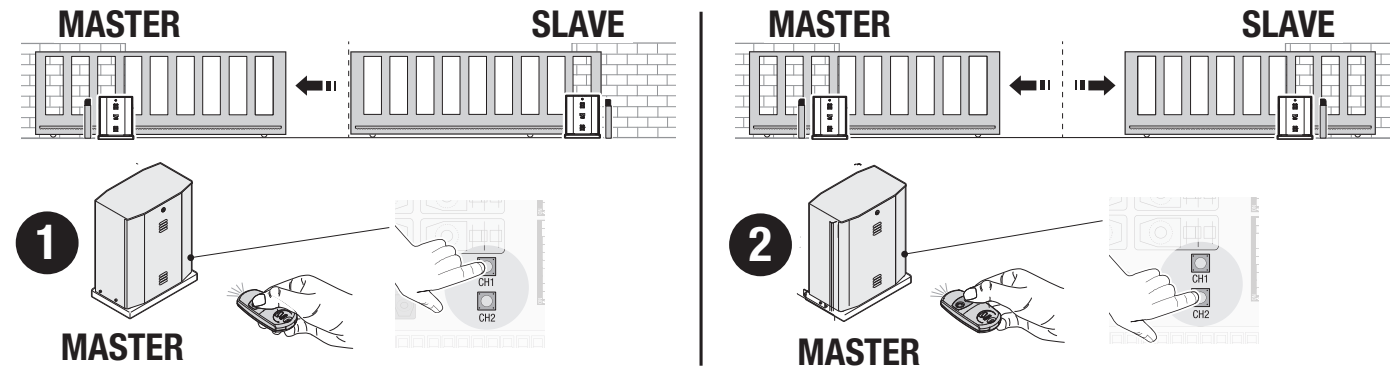


Saving users

 All user storage operations must be performed only on the control board set as MASTER.

Operating modes

- 1 PARTIAL OPENING command
- 2 STEP-STEP command



Fabbricante / Manufacturer / Hersteller / Fabricant / Fabricante / Fabricante
/ Wytwórca / Fabrikant

Came S.p.a.

indirizzo / address / adresse / adresse / dirección / endereço / adres / adres
Via Martiri della Libertà 15 - 31030 Dosson di Casier, Treviso - Italy



DICHIARAZIONE DI INCORPORAZIONE allegato / DECLARATION OF INCORPORATION annex / ERKLÄRUNG FÜR DEN
EINBAU anhang / DECLARATION D'INCORPORATION annexe / DECLARACION DE INCORPORACION anexo / DECLARAÇÃO
DE INCORPORAÇÃO anexo / DEKLARACJA WBUDOWANIA załącznik / INBOUWERKLARING bijlage IIB - 2006/42/CE

DICHIARA CHE LE AUTOMAZIONI PER CANCELLI SCORREVOLI / DECLARES THAT THE DRIVES FOR SLIDING GATES /
ERKLÄRT DASS DIE AUTOMATISIERUNGEN FÜR SCHIEBETORE / DECLARE QUE LES AUTOMATISATIONS POUR
PORTAILS COULISSANTS / DECLARA QUE LAS AUTOMATIZACIONES PARA PUERTAS CORREDERAS / DECLARA QUE AS
AUTOMATIZAÇÕES PARA PORTÕES DE CORRER / OSWADCZA ZE AUTOMATYKA DO BRAM PRZESUWNYCH /
VERKLAART DAT DE AUTOMATISERING VOOR SCHUIFHEKKEN

BY-3500T

SONO CONFORMI ALLE DISPOSIZIONI DELLE SEGUENTI DIRETTIVE / THEY COMPLY WITH THE PROVISIONS OF THE FOLLOW-
ING DIRECTIVES / DEN VORGABEN DER FOLGENDEN RICHTLINIEN ENTSPRECHEN / SONT CONFORMES AUX DISPOSITIONS
DES DIRECTIVES SUIVANTES / CUMPLEN CON LAS DISPOSICIONES DE LAS SIGUIENTES DIRECTIVAS / ESTÃO DE ACORDO
COM AS DISPOSIÇÕES DAS SEGUINTES DIRECTIVAS / SA ZGODNE Z POSTANOWIENIAMI NASTĘPUJĄCYCH DYREKTYW
EUROPEJSKICH / VOLDOEN AAN DE VOORSCHRIFTEN VAN DE VOLGENDE RICHTLIJNEN:

- COMPATIBILITÀ ELETTROMAGNETICA / ELECTROMAGNETIC COMPATIBILITY / ELEKTROMAGNETISCHE
VERTRÄGLICHKEIT / COMPATIBILITÉ ÉLECTROMAGNÉTIQUE / ELECTROMAGNETIC / COMPATIBIL-
DADE ELETTROMAGNETICA / KOMPATYBILNOŚCI ELEKTROMAGNETYCZNEJ / ELEKTROMAGNETISCHE COMPATIBI-
LITEIT : 2014/30/UE.

Riferimento norme armonizzate ed altre norme tecniche / Refer to
European regulations and other technical regulations / Harmonisierte
Bezugsnormen und andere technische Vorgaben / Référence aux normes
harmonisées et aux autres normes techniques / Referencia normas
armonizadas y otras normas técnicas / Referência de normas harmoniza-
das e outras normas técnicas / Odnosne normy ujednolicono i inne normy
techniczne / Geharmoniseerde en andere technische normen waarnaar is
verwezen

EN 61000-6-2:2005
EN 61000-6-3:2007+A1:2011
EN 62233:2008
EN 60335-1:2012+A11:2014
EN 60335-2-103:2015

RISPETTANO I REQUISITI ESSENZIALI APPLICATI / MEET THE APPLICABLE ESSENTIAL REQUIREMENTS / DEN WESENTLIJEN
ANGEWANDTEN ANFORDERUNGEN ENTSPRECHEN / RESPECTENT LES CONDITIONS REQUISES NECESSAIRES APPLIQUEES /
/ CUMPLEN CON LOS REQUISITOS ESENCIALES APLICADOS / RESPETAM O REQUISITOS ESSENCIAIS APLICADOS /
SPEŁNIAJĄ PODSTAWOWE WYMAGANIA WYRUNKI / VOLDOEN AAN DE TOEPASBARE MINIMUM EISEN:

1.1.3; 1.1.5; 1.2.1; 1.2.2; 1.3.2; 1.3.7; 1.3.8.1; 1.4.1; 1.4.2; 1.5.1; 1.5.6; 1.5.8; 1.5.9; 1.5.9; 1.5.13; 1.6.1; 1.6.3; 1.6.4;
1.7.1; 1.7.2; 1.7.4

PERSONA AUTORIZZATA A COSTITUIRE LA DOCUMENTAZIONE TECNICA PERTINENTE / PERSON AUTHORISED TO COMPILE THE RELEVANT TECHNICAL DOCUMENTATION /
PERSON DIE BEVOLLMÄCHTIGT IST, DIE RELEVANTEN TECHNISCHEN UNTERLAGEN ZUSAMMENZUSTELLEN / DOCUMENTATION TECHNIQUE SPECIFIQUE D'AUTORISATION
A CONSTRUIRE DE / PERSONA FACULTADA PARA ELABORAR LA DOCUMENTACIÓN TÉCNICA PERTINENTE / PESSOA AUTORIZADA A CONSTITUIR A DOCUMENTAÇÃO TÉCNICA
PERTINENTE / OSOBA UPÓWAZNIONA DO ZREDAGOWANIA DOKUMENTACJI TECHNICZNEJ / DEGENE DIE GEMACHTIGD IS DE RELEVANTE TECHNISCHE DOCUMENTEN
SAMEN TE STELLEN.

CAME S.p.a.

La documentazione tecnica pertinente è stata compilata in conformità all'allegato VIIB. / The pertinent technical documentation has been drawn up in compliance with attached
document VIIB. / Die relevante technische Dokumentation wurde entsprechend der Anlage VIIB ausgestellt. / La documentation technique spécifique a été remplie conformément à
l'annexe IIB. / La documentación técnica pertinente ha sido rellenada en cumplimiento con el anexo VIIB. / A documentação técnica pertinente foi preenchida de acordo com o anexo
VIIB. / Odnosna dokumentacja techniczna została zredagowana zgodnie z załącznikiem VIIB. / De technische documentatie terzake is opgesteld in overeenstemming met de bijlage VIIB.

CAME S.p.a. si impegna a trasmettere, in risposta a una richiesta adeguatamente motivata delle autorità nazionali, informazioni pertinenti sulle quasi macchine, e / Came S.p.a., following
a duly motivated request from the national authorities, undertakes to provide information related to the quasi machines, and / Die Firma Came S.p.a. verpflichtet sich auf eine angemessene
motive Anfrage der staatlichen Behörden Informationen über die unvollständigen Maschinen, zu übermitteln, und / Came S.p.a. s'engage à transmettre, en réponse à une demande
bien fondée de la part des autorités nationales, les renseignements relatifs aux quasi machines / Came S.p.a. se compromete a transmitir, como respuesta a una demanda
fundada por parte de las autoridades nacionales, informaciones relacionadas con las cuasimáquinas / Came S.p.a. compromete-se em transmitir, em resposta a uma solicitação devidamente
apropriadamente pelas autoridades nacionais, informações pertinentes às partes que compoñam máquinas / Came S.p.a. zobowiązuje się do udzielenia informacji dotyczących maszyn
nieukończonych na odpowiednio umotywowana prośbę, złożoną przez kompetentne organy państwowe / Came S.p.a. verbindt zich ertoe om op met redenen omkleed verzoek van de
nationale autoriteiten de relevante informatie voor de niet voltooidde machine te verstrekken,

VIETA / FORBIDS / VERBIETET / INTERDIT / PROHIBE / PROIBE / ZABRANIA SIE / VERBIEDT
la messa in servizio finché la macchina finale in cui deve essere incorporata non è stata dichiarata conforme, se del caso alla 2006/42/CE. / commissioning of the above mentioned until such
moment when the final machine into which they must be incorporated, has been declared compliant, if pertinent, to 2006/42/CE / die Inbetriebnahme bevor die „Endmaschine“ in die die
unvollständige Maschine eingebaut wird, als konform erklärt wurde, gegebenenfalls gemäß der Richtlinie 2006/42/EU. / la mise en service tant que la machine finale dans laquelle elle doit
être incorporée n'a pas été déclarée conforme, le cas échéant, à la norme 2006/42/CE. / la puesta en servicio hasta que la máquina final en la que será incorporada no haya sido declarada
de conformidad de acuerdo a la 2006/42/CE / a colocação em funcionamento, até que a máquina final, onde devam ser incorporadas, não for declarada em conformidade, se de acordo
com a 2006/42/CE. / Uruchomienia urządzenia do czasu, kiedy maszyna, do której ma być wbudowany, nie zostanie oceniona jako zgodna z wymogami dyrektywy 2006/42/WE, jeśli taka
procedura była konieczna. / deze in werking te stellen zolang de eindmachine waarin de niet voltooidde machine moet worden ingebouwd in overeenstemming is verklaard, indien toepasselijk
met de richtlijn 2006/42/EG.

Dosson di Casier (TV)
05 Febbraio / February / Februar /
Février / Febrero / Fevereiro /
Luty / Februari 2019

Legale Rappresentante / Legal Representative /
Gesetzlicher Vertreter / Représentant légal /
Representante legal / Representante legal /
Przedstawiciel prawny / Wettelijke vertegenwoordiger

Andrea Menuzzo

Fascicolo tecnico a supporto / Supporting technical dossier / Unterstützung technische Dossier / soutien dossier technique / apoyo expediente
técnico / apoio dossier técnico / wspieranie dokumentacji technicznej / ondersteunende technische dossier: 001BY-3500T

Came S.p.a.

Via Martiri della Libertà, 15 - 31030 Dosson di Casier - Treviso - Italy - Tel. (+39) 0422 4940 - Fax (+39) 0422 4941
info@came.it - www.came.com

Cap. Soc. 1.610.000,00 € - C.F. e P.I. 03481280265 - VAT IT 03481280265 - REA TV 275359 - Reg Imp. TV 03481280265

CAME



CAME S.P.A.

Via Martiri della Libertà, 15
31030 Dosson di Casier
Treviso - Italy
Tel. (+39) 0422 4940
Fax (+39) 0422 4941

CAME.COM